

Anesthesia Intensive Care



VBM Medizintechnik

VBM Medizintechnik has been developing and manufacturing innovative products for Anesthesia and Intensive Care since 1981.

VBM has established and is maintaining a quality management system according to DIN EN ISO 9001 and DIN EN 46001 which meets the essential requirements of Appendix II, section 3 of the Council Directive 93/42/EEC for Medical Devices. VBM has also set up a complete GMP Programme.

ZERTIFIKAT ♦ CERTIFICATE ♦ 認定証書 ♦ CERTIFICADO ♦ CERTIFICAT

CERTIFICATE



TÜV
PRODUCT SERVICE

No. Q12 01 10 16389 005

TÜV PRODUCT SERVICE GMBH certifies that the company

VBM Medizintechnik GmbH

Robert-Bosch-Strasse 7
D - 72172 Sulz

in the facility:
VBM Medizintechnik GmbH
D - 72172 Sulz

within the scope:
Development, production and distribution of medical products for
Anaesthesia and Intensive Care as well as Tourniquet and
Pressure Infusion Systems

has established and is maintaining a quality system which meets the
requirements of:

EN 46001: 1996

Quality Systems - Medical Devices -
Particular Requirements for the Application of

ISO 9001: 1994

as documented in audit report no. 70020132.

This certificate is valid until 09/2004.
Munich, November 09, 2001

TÜV PRODUCT SERVICE GMBH
ACCREDITED CERTIFICATION BODY
FOR QUALITY SYSTEMS



ZLG-Z0-999.98.12-46

TÜV PRODUCT SERVICE GMBH - Zertifizierstelle - Riderstrasse 65 - 80339 München - Germany

CE 0123

Summary

Page

• Cuff Pressure Gauges.....	4-5
• Endoscopy Mask and Accessories.....	6
• Respiration Masks.....	7
• Respiration Masks.....	7-8
• Laryngeal Tube and Accessories.....	9
• Jet Ventilation and Accessories.....	10
• Quicktrach.....	11
• Airway Management Simulator.....	11
• Tube Fixations.....	12-13
• Airways.....	14
• Biteblocks.....	15
• Tracheostomy Necktapes.....	16
• Ear Dress, Stylets.....	17
• Connectors and Catheter Mount Tubings.....	18-28
• T- and Y-Connectors.....	29-31
• Filters.....	32-33
• Respiration Tubings.....	34-35
• Rebreathing Bags.....	36
• Water Traps.....	37
• Pediatric Anesthetic Systems and Connectors.....	37-39
• Jackson Rees and Waters Systems.....	40-41
• Support Arms and Attachment Devices.....	42-47
• Pressure Infusion Cuffs.....	48
• Oxysafety.....	49
• Emergency Bag.....	49
• Standard Respiration Cases.....	49
• Resuscitation Bags and Accessories.....	50-53
• Notes.....	54
• Index.....	55

Cuff Pressure Gauges

For inflating and controlling cuff pressures of Laryngeal Tubes and Endotracheal Tubes

Pocket Control Inflater,

for inflating and controlling cuff pressures on tracheal tubes with high-volume, low-pressure cuffs, scale with 50mm Ø

REF 54-04-000



Monitor Control Inflater,

for inflating and controlling cuff pressures on tracheal tubes with high-volume, low-pressure cuffs, scale with 68mm Ø

REF 54-05-000



Cuff Pressure Gauge for silicone tubes,

for inflating and controlling cuff pressures on silicone tubes, scale with 50mm Ø

REF 54-06-000



Cuff Pressure Gauge,

for inflating and controlling cuff pressures on laryngeal tubes and endotracheal tubes, scale with 68mm Ø

REF 54-07-000



Protection ring, latex free,

for REF 54-05-000
and REF 54-07-000 **REF 54-05-222**

for REF 54-04-000
and REF 54-06-000 **REF 54-06-222**

Cuff Pressure Gauges

For inflating and controlling cuff pressures of Endotracheal Tubes



Cuff Controller, full automatic cuff pressure gauge with regulation from 10-32 cmH₂O

- as table unit
- with universal clamp

REF 54-08-000
REF 54-08-111

with regulation range from 10-60 cmH₂O

- as table unit
- with universal clamp

REF 54-10-000
REF 54-10-111

for use in hyperbarics with regulation range from 10-32 cmH₂O

- with universal clamp

REF 54-09-111



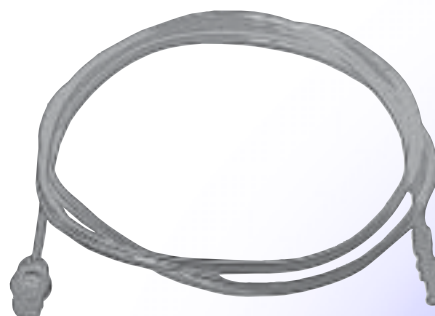
Universal clamp
REF 51-53-555

Manometer connecting tubing, length: 100cm

with Luer Lock connections male and female, sterile
REF 54-05-111-1 box 100



with female Luer Lock connection and Luer connection, sterile
REF 54-05-112-1 box 100



Endoscopy Mask

For fibreoptic intubation and diagnostic airway endoscopy

	REF	box
Size 1, Infant with silicone membrane 1.9mm + spare membrane 3mm	30-40-001	6
Size 3, Child with silicone membrane 3mm + spare membrane 5mm	30-40-003	6
Size 5, Adult with silicone membrane 5mm + spare membrane 3mm	30-40-005	6



Spare Parts for Endoscopy Mask

Spare Mask, for single use

Size	patient	REF	box
1	Infant	30-40-301	6
3	Child	30-40-303	6
5	Adult	30-40-305	6



Connecting Tubing, made of silicone,
with 15mm ISO standard connector,
autoclavable up to 134°C

REF 30-40-201 box 1



Membrane made of silicone,
autoclavable up to 134°C

For Mask	REF	box
size 1	30-40-101	5
size 3	30-40-103	5
size 5	30-40-105	5



Plug made of silicone,
autoclavable up to 134°C

For Mask	REF	box
size 1	60-11-998	1
size 3+5	60-11-999	1



Fixation Tape for Endoscopy Mask

For Mask	length	REF	box
size 1	400mm	35-40-622	10
size 3+5	600mm	35-40-633	10



Bronchoscope Airway with external biteblock, sterile

Size	length	REF	box
0	36mm	30-40-400-1	10
1	47mm	30-40-410-1	10
2	65mm	30-40-420-1	10
4	85mm	30-40-440-1	10



Foam Pads

Airway Size	fits	REF	box
small	size 1+2	40-20-011	30
large	size 0+4	40-20-033	30



Anesthesia Face Masks for single use, with inflatable cushion

Size	patient	REF	box
1	Neonate	35-40-201	10
2	Infant	35-40-202	10
3	Child	35-40-203	10
4	Adult small	35-40-204	10
5	Adult medium	35-40-205	10
6	Adult large	35-40-206	10



Fixation Tape for Anesthesia Face Masks for single use

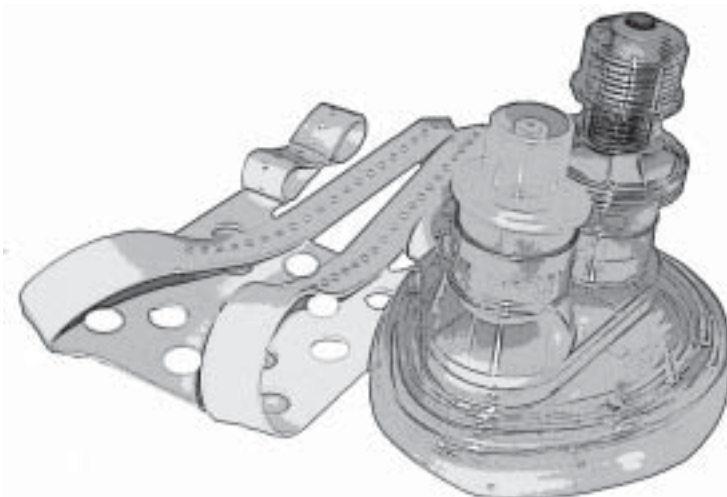
For Mask	length	REF	box
size 1	350mm	35-40-610	10
size 2-3	500mm	35-40-611	10
size 4-6	600mm	35-40-633	10



CPAP Respiration Set

consisting of:
CPAP Mask, Head Strap, PEEP Valve, adjustable from
5-20 cmH₂O and Adapter for 22mm tube connection
REF 35-45-002

ditto, but with PEEP Valve, adjustable from 2.5-10 cmH₂O
REF 35-45-004



CPAP Mask

with inflatable cushion

Size	REF	box
medium	35-40-100	5
large	35-40-000	5



PEEP Valves, autoclavable up to 134°C

adjustable	REF	box
5-20 cmH ₂ O, blue	80-13-002	1
2.5-10 cmH ₂ O, green	80-13-004	1



PEEP Valves, disposable

adjustable	REF	box
5-20 cmH ₂ O, blue	85-13-002	1
2.5-10 cmH ₂ O, green	85-13-004	1

Head Strap, latex free,
autoclavable up to 134°C

REF 35-30-255 box 10



Adapter, for single use

REF 60-50-007 box 10

29 I.D./
32 O.D.



22 O.D.

Air Cushion Face Masks, inflatable, made of silicone

with connector 22mm I.D., autoclavable up to 134°C

Size	patient	colour	REF	box
3	Adult small	yellow	35-70-223	1
4	Adult medium	red	35-70-224	1
5	Adult large	purple	35-70-225	1
6	Adult extra large	blue	35-70-226	1



with metal hook ring

Size	patient	colour	REF	box
3	Adult small	yellow	35-71-223	1
4	Adult medium	red	35-71-224	1
5	Adult large	purple	35-71-225	1
6	Adult extra large	blue	35-71-226	1



Hook Ring,

Ø 33mm, made of metal

REF 80-11-266 box 10



Anesthesia Face Masks made of silicone

autoclavable up to 134°C

Size	patient	REF	box
1	Neonate	80-11-000	10
2	Infant	80-11-001	10
3	Child	80-11-002	10



Size	patient	REF	box
4	Adult small	35-60-223	1
5	Adult medium	35-60-224	1
6	Adult large	35-60-225	1



Head Strap, latex free,
autoclavable up to 134°C

REF 35-30-255 box 1



Laryngeal Tube LT®

A new product for Airway Management

complete with Biteblock (for size 3-5) and syringe, latex free
steam-autoclavable up to 134°C (273°F)

Size	patient	weight/height	connector	REF	box
0	Newborn	less than 5kg	clear	32-01-000	1
1	Infant	5-12kg	white	32-01-001	1
2	Child	12-25kg	green	32-01-002	1
3	Adult small	less than 155cm	yellow	32-01-003	1
4	Adult medium	155-180cm	red	32-01-004	1
5	Adult large	more than 180cm	purple	32-01-005	1



Laryngeal Tube LTS® with drain tube

complete with syringe, latex free, steam-autoclavable up to 134°C (273°F)

Size	patient	weight/height	connector	REF	box
3	Adult small	less than 155cm	yellow	32-05-003	1
4	Adult medium	155-180cm	red	32-05-004	1
5	Adult large	more than 180cm	purple	32-05-005	1

Biteblock, autoclavable up to 134°C
size 5, purple, suitable for Laryngeal Tube size 3, 4, 5

REF 40-50-050 box 25



Elastic necktape

length: 75cm

REF 40-06-075 box 10



Manometer Connecting Tubing

with Luer connection, length: 100cm, sterile

REF 54-05-112-1 box 100



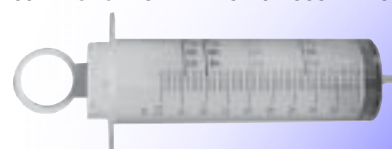
Cuff Pressure Gauge

for inflation and pressure control
of Laryngeal Tubes

REF 54-07-000

Syringe with Luer attachment
and with colour code for LT®/LTS®

Size	for LT®/LTS®	REF	box
20ml	size 0-1	54-04-111	50
60ml	size 2-3	54-04-444	50
100ml	size 4-5	54-04-555	50



Manujet III

The manual Jet Device for Difficult Airway Management and ENT surgery

complete in a case with 4m pressure hose, Luer Lock connecting tubing, Bronchoscope Adapter, Endojet Adapter with Endojet Catheter and one of each Jet-Ventilation Catheter acc. to Ravussin for Infant, Child and Adult

REF 30-01-003

Videotape „Manujet III“, english version

Video on CD Rom „Manujet III“, english version

REF 10-900-04

REF 10-900-14



Jet-Ventilation Catheter (transtracheal) acc. to Ravussin

complete with foam necktape, sterile

Patient REF box

Adult, 13G 30-02-013-1 5

Child, 14G 30-02-014-1 5

Infant, 16G 30-02-018-1 5



Jet-Ventilation Catheter (oral) acc. to Biro,

for single use, sterile

Dual lumen

Length REF box

30cm 30-05-300-1 1

40cm 30-05-400-1 1

70cm 30-05-700-1 1

Single lumen

for Infant and Child

Length REF box

25cm 30-07-250-1 1



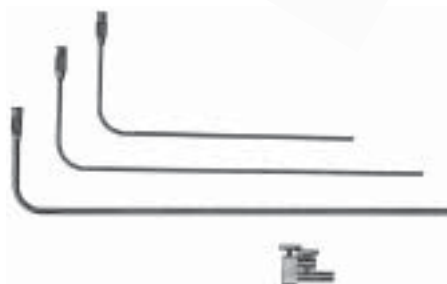
Jet Cannula made of metal

I.D. length REF box

1.4mm 12.0cm 30-03-222 1

1.4mm 18.0cm 30-03-333 1

2.5mm 21.5cm 30-03-444 1

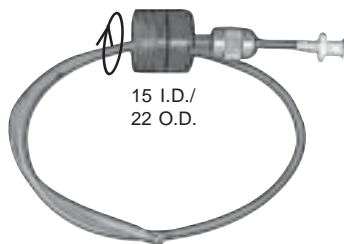


Cannula Holder for Jet Cannula, suitable for all three sizes

REF 30-03-666 box 1

Endojet Adapter, swivelling, with Endojet Catheter, sterile

REF 30-03-111-1 box 5



15 I.D./
22 O.D.

Endojet Catheter, sterile

REF 30-03-000-1 box 5



Bronchoscope Adapter with Luer Lock Connection

REF 60-70-005 box 5

15 I.D./
22 O.D.



Luer Lock connecting tubing, Length: 100cm, sterile

REF 54-05-111-1 box 100



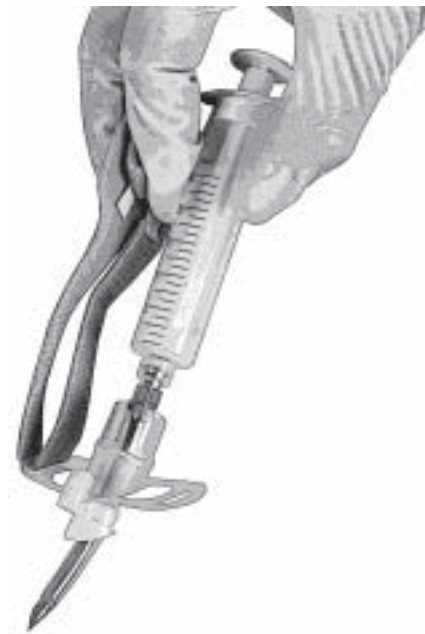
QUICKTRACH

Emergency Cricothyrotomy Device

For a quick and safe ventilation, in case of an obstruction of the upper airway

complete with foam necktape and silicone connecting tubing made of silicone, sterile

Patient	I.D.	REF	box
Child	2mm	30-04-002-1	1
Adult	4mm	30-04-004-1	1



Cricothyrotomy Trainer

complete with exchangeable skin and thyroid cartilage

REF 30-15-000



Spare Skin
REF 30-15-222



Spare Thyroid Cartilage
REF 30-19-111



Transparent Head

with upper Airways, cross-section

REF 30-16-000

Airway Management Simulator „BILL“

The simulator offers the possibility to train Endotracheal Intubation, Bronchoscopy, Fiberoptic Intubation, Cricothyrotomy, Transtracheal Jet-Ventilation, Mask Ventilation and the ventilation via Laryngeal Tube, Combi Tube or the Laryngeal Mask.

Airway Management Simulator „BILL I“

in an aluminium case complete with basement, exchangeable skin and thyroid cartilage

REF 30-19-000

Spare Skin
REF 30-19-222



Spare Thyroid Cartilage
REF 30-19-111



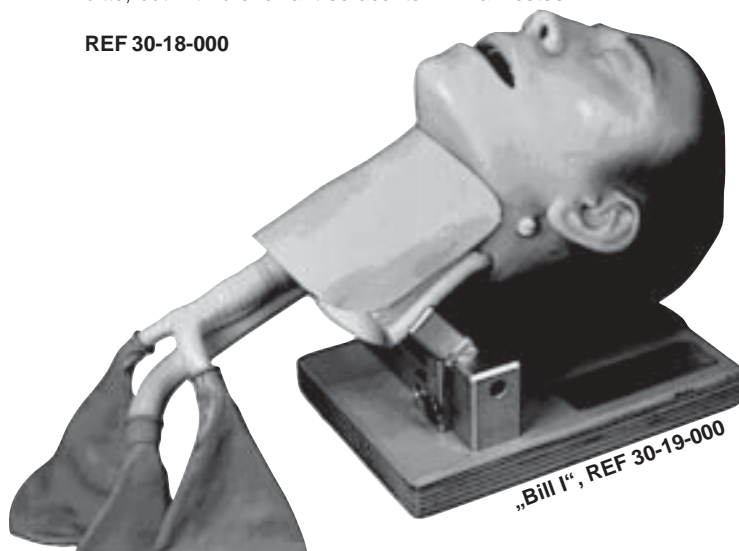
Stomach
REF 30-19-300



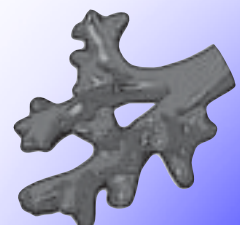
Airway Management Simulator „BILL II“

ditto, but with bronchial tree acc. to Dr. Nakhosteen

REF 30-18-000



Bronchial Tree
REF 30-19-400



Endofix Oral I

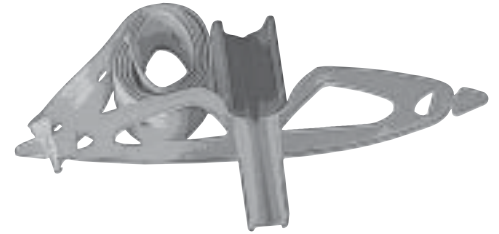
with foam necktape

Patient	colour code	for E.T. Tube	REF	box
Child	yellow	4.5-6.5mm	40-8005-010	10
Adult	white	6.5-8.5mm	40-8005-030	10
Adult large	blue	8.5-10mm	40-8005-040	10
Adult extra large	purple	10-11mm	40-8005-050	10



with elastic necktape

Patient	colour code	for E.T. Tube	REF	box
Child	yellow	4.5-6.5mm	40-8006-010	10
Adult	white	6.5-8.5mm	40-8006-030	10
Adult large	blue	8.5-10mm	40-8006-040	10
Adult extra large	purple	10-11mm	40-8006-050	10



Endofix Oral II

with self adhesive cushion and tube fixation tape

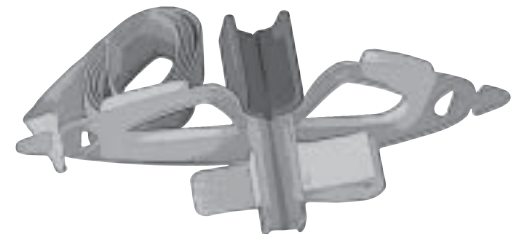
with foam necktape

Patient	colour code	for E.T. Tube	REF	box
Child	yellow	4.5-6.5mm	40-9005-010	10
Adult	white	6.5-8.5mm	40-9005-030	10
Adult large	blue	8.5-10mm	40-9005-040	10
Adult extra large	purple	10-11mm	40-9005-050	10



with elastic necktape

Patient	colour code	for E.T. Tube	REF	box
Child	yellow	4.5-6.5mm	40-9006-010	10
Adult	white	6.5-8.5mm	40-9006-030	10
Adult large	blue	8.5-10mm	40-9006-040	10
Adult extra large	purple	10-11mm	40-9006-050	10



Spare Parts for Endofix Oral I and II

Foam Necktape, length: 47cm

REF 40-0005-033 box 10



Elastic Necktape, length: 50cm

REF 40-0006 box 10



Foam Cushion, soft and self adhesive

small, for Endofix 40-xxx-010
REF 40-0220-010 box 100

large, for Endofix 40-xxx-030 - 050
REF 40-0220-040 box 100



Tube Fixation Tape REF 40-0070 box 50



Foam Cushion

sterile REF 40-8111-1 box 30
non sterile REF 40-8222 box 40



Endotape Oral/Nasal

for Child and Adult, with elastic ties

REF 40-8018-044 box 10



Endofix Nasal, with self adhesive cushion and tube fixation tape

	REF	box
with foam necktape	40-4005	25
with elastic necktape	40-4006	25



Spare Parts for Endofix Nasal

Foam Necktape, length: 52cm

REF 40-0005-044 box 10



Elastic Necktape, length: 50cm

REF 40-0006 box 10



Foam Cushion

non sterile REF 40-4222 box 10



Tube Fixation Tape

REF 40-0070 box 50



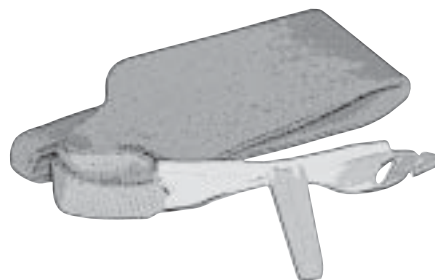
Foam Cushion, soft and self adhesive

REF 40-0220 box 50



Baby Endofix with foam necktape and self adhesive cushion

Colour code	for E.T. Tube	REF	box
yellow	2.5mm	40-1005-025	25
red	3mm	40-1005-030	25
green	3.5mm	40-1005-035	25
blue	4mm	40-1005-040	25



Spare Parts for Baby Endofix

Foam Necktape

for Baby Endofix, length: 35.5cm

REF 40-0005-011 box 10

Foam cushion

soft and self adhesive

REF 40-1022 box 10

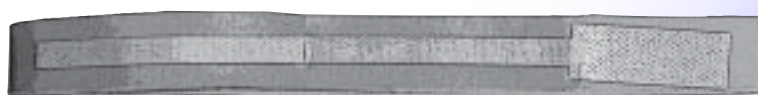
Foam cushion

non sterile

REF 40-1222 box 25

Forehead Fixation Tape

REF 40-0002 box 5



Guedel Airways, for single use, sterile



Standard

Size	colour code	REF	box
000	light blue	40-20-007-1	30
00	marine	40-20-008-1	30
0	black	40-20-009-1	30
1	white	40-20-010-1	30
2	green	40-20-020-1	30
3	yellow	40-20-030-1	30
4	red	40-20-040-1	30
5	purple	40-20-050-1	30



with foam necktape

Size	colour code	REF	box
1	white	40-25-010-1	30
2	green	40-25-020-1	30
3	yellow	40-25-030-1	30
4	red	40-25-040-1	30
5	purple	40-25-050-1	30



with elastic necktape for E.T. Tube fixation

Size	colour code	REF	box
000	light blue	40-26-007-1	30
00	marine	40-26-008-1	30
0	black	40-26-009-1	30
1	white	40-26-010-1	30
2	green	40-26-020-1	30
3	yellow	40-26-030-1	30
4	red	40-26-040-1	30
5	purple	40-26-050-1	30

Guedel Airways, autoclavable up to 134°C



Standard

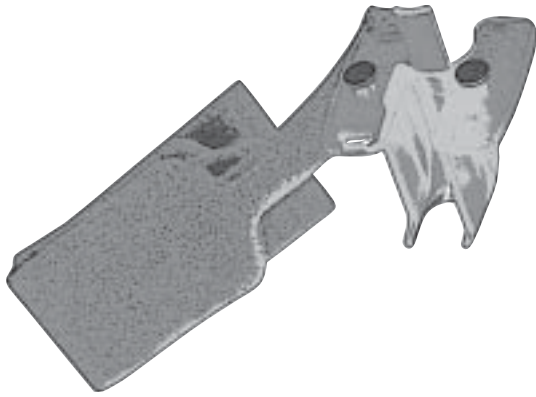
Size	colour code	REF	box
000	light blue	40-40-007	30
00	marine	40-40-008	30
0	black	40-40-009	30
1	white	40-40-010	30
2	green	40-40-020	30
3	yellow	40-40-030	30
4	red	40-40-040	30
5	purple	40-40-050	30

Biteblocks, for single use, sterile



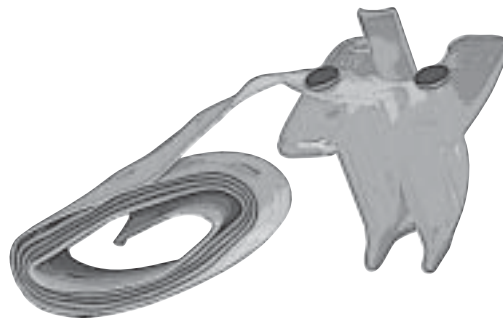
Standard

Size	colour code	REF	box
1	white	40-30-010-1	25
3	yellow	40-30-030-1	25
5	purple	40-30-050-1	25



with foam necktape

Size	colour code	REF	box
1	white	40-35-010-1	20
3	yellow	40-35-030-1	20
5	purple	40-35-050-1	20



with elastic necktape for E.T. Tube fixation

Size	colour code	REF	box
1	white	40-36-010-1	20
3	yellow	40-36-030-1	20
5	purple	40-36-050-1	20

Biteblocks, autoclavable up to 134°C



Standard

Size	colour code	REF	box
1	white	40-50-010	25
3	yellow	40-50-030	25
5	purple	40-50-050	25

Fixation Tapes for Guedel Airways and Biteblocks



Foam necktape, washable

REF **40-25-000** box 5



elastic necktape, washable

length	REF	box
40cm	40-06-040	10
55cm	40-06-055	10
75cm	40-06-075	10

Foam Pads

self adhesive for Airway and Biteblock

size	for size	REF	box
small	000, 1, 2	40-20-011	30
large	0, 00, 3, 4, 5	40-20-033	30



Tracheostomy Necktape, colour: blue, made of foam, with velcro fastening

Patient	length	REF	box
Child and Infant	355mm	40-0005-011	10
Adult and Child	470mm	40-0005-033	10
Adult, extra long	520mm	40-0005-044	10



Tracheostomy Necktape, colour: skin coloured, made of cotton covered foam, with velcro fastening

Patient	length	REF	box
Child and Infant	340mm	40-0008-011	10
Adult and Child	490mm	40-0008-033	10
Adult, extra long	590mm	40-0008-044	10



Tracheostomy Necktape, colour: skin coloured, made of cotton covered foam, with velcro fastening separable

Patient	length	REF	box
Adult and Child	400mm	40-0066-033	10



Tracheostomy Necktape, colour: skin coloured, made of cotton covered foam, with hook fastening separable

Patient	length	REF	box
Adult and Child	350mm	40-0099-033	10



Tracheostomy Dressing, sterile

size: 6.5cm x 9cm

REF 30-06-111-1 box 25



„Ear Dress“

For postoperative ear operations, for Child and Adult, cotton covered foam with velcro fastening, washable

colour: skin coloured

REF 40-7000 box 5



Stylets, autoclavable up to 134°C

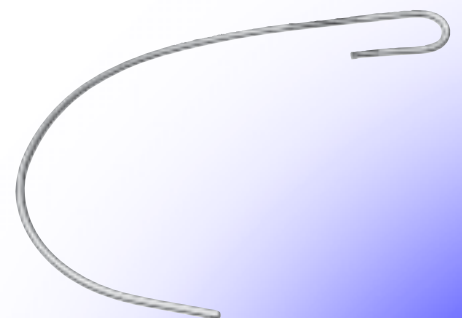
with 15mm I.D. silicone connector

Size	O.D.	length	for E.T. Tube	REF	box
small	2.1mm	34cm	2.5-3.5mm	90-10-001	10
medium	2.9mm	38cm	4-6.5mm	90-10-002	10
large	3.9mm	45cm	7-10mm	90-10-003	10



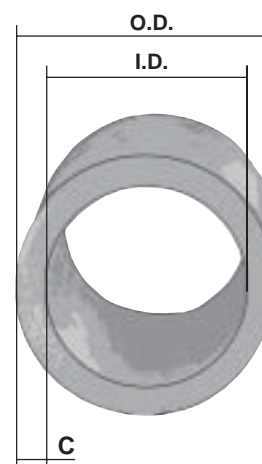
without 15mm I.D. silicone connector

Size	O.D.	length	for E.T. Tube	REF	box
small	2.1mm	34cm	2.5-3.5mm	90-10-111	25
medium	2.9mm	38cm	4-6.5mm	90-10-222	25
large	3.9mm	45cm	7-10mm	90-10-333	25



Tubings made of silicone, smooth/clear,
autoclavable up to 134°C

I.D.	x	C	O.D.	REF	box
1.0	x	0.5	2	68-010-05	25m
1.0	x	1.0	3	68-010-10	25m
1.5	x	0.75	3	68-015-075	25m
2.0	x	1.0	4	68-020-10	25m
3.0	x	1.0	5	68-030-10	25m
3.0	x	1.5	6	68-030-15	25m
4.0	x	1.0	6	68-040-10	25m
4.0	x	1.5	7	68-040-15	25m
4.0	x	2.0	8	68-040-20	25m
5.0	x	1.0	7	68-050-10	25m
5.0	x	1.5	8	68-050-15	25m
5.0	x	2.0	9	68-050-20	25m
6.0	x	1.0	8	68-060-10	25m
6.0	x	2.0	10	68-060-20	25m
6.0	x	3.0	12	68-060-30	25m
7.0	x	1.5	10	68-070-15	25m
7.0	x	2.0	11	68-070-20	25m
7.0	x	3.0	13	68-070-30	25m
8.0	x	2.0	12	68-080-20	25m
8.0	x	3.0	14	68-080-30	25m
9.0	x	2.0	13	68-090-20	25m
10.0	x	2.0	14	68-100-20	25m
10.0	x	3.0	16	68-100-30	25m
12.0	x	3.0	18	68-120-30	25m
12.0	x	4.0	20	68-120-40	25m
14.0	x	3.0	20	68-140-30	25m
15.0	x	3.0	21	68-150-30	25m
16.0	x	3.0	22	68-160-30	25m
18.0	x	3.0	24	68-180-30	25m
20.0	x	2.0	24	68-200-20	25m
20.0	x	3.0	26	68-200-30	25m
25.0	x	4.0	33	68-250-40	25m



Connection pieces for endobronchial double lumen tubes (Carlens Tubes), autoclavable up to 134°C

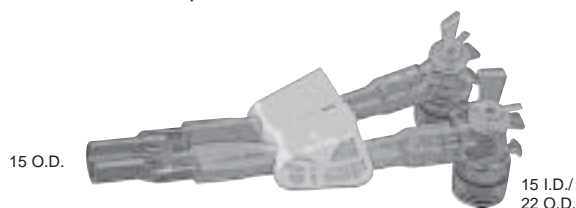
Connection Piece with 15mm I.D. to Y-Piece 15mm O.D.

	REF	box
with tube clamps	60-80-100	5
without tube clamps	60-80-101	5



Connection Piece with two right angled swivel connectors to Y-Piece 15mm O.D.

	REF	box
with tube clamps	60-80-200	5
without tube clamps	60-80-201	5



Double Lumen Tube Adapter

Standard
autoclavable up to 134°C

REF **60-80-322** box 10



with female Luer Lock connection
made of metal, for single use

REF **60-80-522** box 10



15mm Endo Adapter, autoclavable up to 134°C

Material: PP



I.D.	REF	box
2.0mm	44-2551-020	20
2.5mm	44-2551-025	20
3.0mm	44-2551-030	20
3.5mm	44-2551-035	20
4.0mm	44-2551-040	20
5.0mm	44-2551-050	20
6.0mm	44-2551-060	20
7.0mm	44-2551-070	20
8.0mm	44-2551-080	20
9.0mm	44-2551-090	20
10.0mm	44-2551-100	20

Material: PSU



I.D.	REF	box
2.0mm	44-2535-020	20
2.5mm	44-2535-025	20
3.0mm	44-2535-030	20
3.5mm	44-2535-035	20
4.0mm	44-2535-040	20
5.0mm	44-2535-050	20
6.0mm	44-2535-060	20
7.0mm	44-2535-070	20
8.0mm	44-2535-080	20
9.0mm	44-2535-090	20
10.0mm	44-2535-100	20

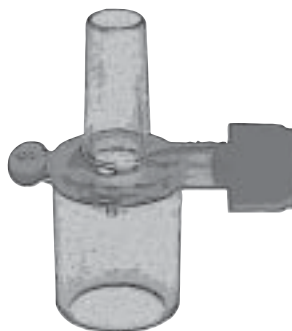
Material: PSU



I.D.	REF	box
6.0mm	44-2555-060	20
7.0mm	44-2555-070	20
8.0mm	44-2555-080	20
9.0mm	44-2555-090	20
10.0mm	44-2555-100	20

with Luer Lock sideport for pressure and gas measuring, sterile

Material: PMP



I.D.	REF	box
2.0mm	44-3500-020-1	20
2.5mm	44-3500-025-1	20
3.0mm	44-3500-030-1	20
3.5mm	44-3500-035-1	20
4.0mm	44-3500-040-1	20
5.0mm	44-3500-050-1	20
6.0mm	44-3500-060-1	20
7.0mm	44-3500-070-1	20
8.0mm	44-3500-080-1	20
9.0mm	44-3500-090-1	20
10.0mm	44-3500-100-1	20

Meconium Aspirators, for suctioning on Endotracheal Tubes or Suction Catheters

autoclavable up to 134°C

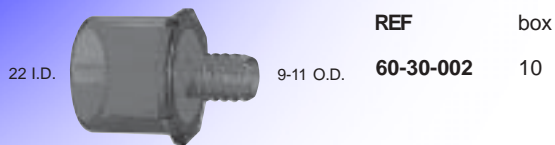
for single use

REF 49-10-000 box 1

REF 49-20-000 box 10



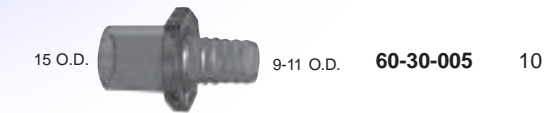
Straight Connectors, autoclavable up to 134°C



REF
60-30-002 box
10



REF
60-30-003 box
10



REF
60-30-005 box
10



REF
60-30-006 box
10



REF
60-40-002 box
10



REF
60-40-003 box
10



REF
60-40-005 box
10



REF
60-40-006 box
10



Standard
REF **60-12-110**
box 10

ditto, but made of aluminium
REF **60-20-001**
box 10



with female Luer Lock connection
REF **60-12-111**
box 10



with Luer connection
REF **60-12-112**
box 10



Standard
REF **60-12-200**
box 10

ditto, but made of aluminium
REF **60-20-003**
box 10



with female Luer Lock connection
REF **60-12-201**
box 10



with Luer connection
REF **60-12-202**
box 10




with Temperature port
REF **60-12-203**
box 10


ditto, but made of polycarbonate,
autoclavable up to 121°C

REF **60-13-203**
box 10


Straight Connectors, autoclavable up to 134°C



 22 I.D. 22 I.D. Standard **REF 60-12-300** box 10 ditto, but made of aluminium **REF 60-20-004** box 10



 22 I.D. 22 I.D. with female Luer Lock connection **REF 60-12-301** box 10



 22 I.D. 22 I.D. with Luer connection **REF 60-12-302** box 10



 15 I.D./ 22 O.D. 15 I.D./ 22 O.D. Standard **REF 60-12-400** box 10 ditto, but made of aluminium **REF 60-20-002** box 10


 15 I.D./ 22 O.D. 15 I.D./ 22 O.D. with female Luer Lock connection **REF 60-12-401** box 10



 15 I.D./ 22 O.D. 15 I.D./ 22 O.D. with Luer connection **REF 60-12-402** box 10



 15 O.D. 22 I.D. Standard **REF 60-50-002** box 10


 15 O.D. 22 I.D. with female Luer Lock connection **REF 60-12-501** box 10



 15 O.D. 22 I.D. with Luer connection **REF 60-12-502** box 10



 15 O.D. 15 I.D./ 22 O.D. Standard **REF 60-50-003** box 10



 15 O.D. 15 I.D./ 22 O.D. with female Luer Lock connection **REF 60-12-601** box 10


 15 O.D. 15 I.D./ 22 O.D. with Luer connection **REF 60-12-602** box 10


Straight Connectors, autoclavable up to 134°C

15 O.D.  15 O.D. Standard **REF 60-50-005**
box 10

15 O.D.  15 O.D. with female Luer Lock connection **REF 60-12-701**
box 10


15 O.D.  15 O.D. with Luer connection **REF 60-12-702**
box 10

Right Angled Connector 90°, autoclavable up to 134°C

 22 I.D. Standard **REF 60-12-000**
box 10
15 I.D.
22 O.D.

ditto, but made of polycarbonate,
autoclavable up to 121°C

REF 60-13-000
box 10

 22 I.D. with female Luer Lock connection **REF 60-12-001**
box 10
15 I.D.
22 O.D.

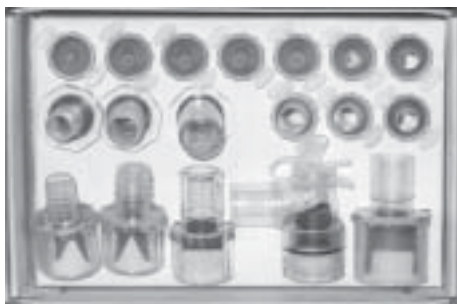
ditto, but made of polycarbonate,
autoclavable up to 121°C

REF 60-13-001
box 10

Straight Swivel Connectors, autoclavable up to 134°C

15 I.D.
22 O.D.  15 O.D. **REF 60-60-003**
box 10

15 I.D.
22 O.D.  8 O.D. **REF 60-70-004**
box 10







Adapter Set

consisting of:



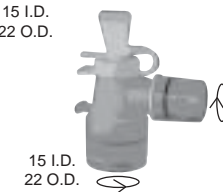
- 10pcs. Endo Adapters, REF 44-2535-020 - 44-2535-090
- 1pc. right angled swivel connector, REF 60-60-005
- 7pcs. different Adapters:
REF 60-30-003, 60-30-005, 60-40-003, 60-40-005,
60-50-002, 60-50-003, 60-50-005

REF 60-90-001

Connectors, for single use



22 I.D.		15 O.D.	REF 60-50-222	box 10
15 I.D. 22 O.D.		15 O.D.	60-50-333	10
15 O.D.		15 O.D.	60-50-555	10
15 I.D. 22 O.D.		15 O.D.	60-60-333-1 sterile	10

Right Angled Swivel Connectors, for single use, sterile



	15 O.D.	Standard	REF 60-60-222-1 box 10
	15 I.D. 22 O.D.	15 O.D.	with 4.4mm bronchoscope/suction cap REF 60-60-555-1 box 10
	15 I.D. 22 O.D.	15 O.D.	double swivel with 4.4mm bronchoscope/suction cap REF 60-60-111-1 box 10

Catheter Mount Tubings, for single use, sterile (only length: 18cm)



with straight connector

	Length: 18cm	length: 36cm	length: 54cm
15 I.D./ 22 O.D. 	REF 60-50-150-1 box 25	REF 60-50-300	REF 60-50-450 box 10
15 I.D./ 22 O.D. 	60-55-150-1 25	60-55-300	60-55-450 10



with straight swivel connector

	Length: 18cm	length: 36cm	length: 54cm
15 I.D./ 22 O.D. 	REF 60-52-150-1 box 25	REF 60-52-300	REF 60-52-450 box 10
15 I.D./ 22 O.D. 	60-57-150-1 25	60-57-300	60-57-450 10



with right angled swivel connector

	Length: 18cm	length: 36cm	length: 54cm
15 I.D./ 22 O.D. 	REF 60-60-150-1 box 25	REF 60-60-300	REF 60-60-450 box 10
15 I.D./ 22 O.D. 	60-80-150-1 25	60-80-300	60-80-450 10

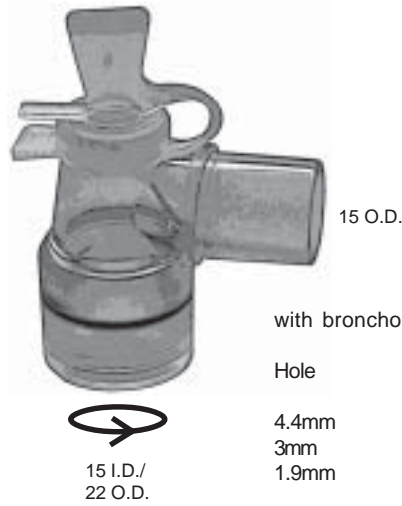
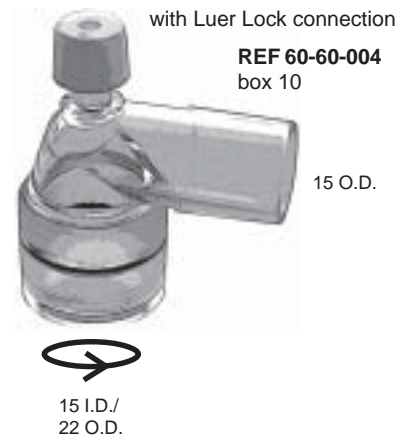
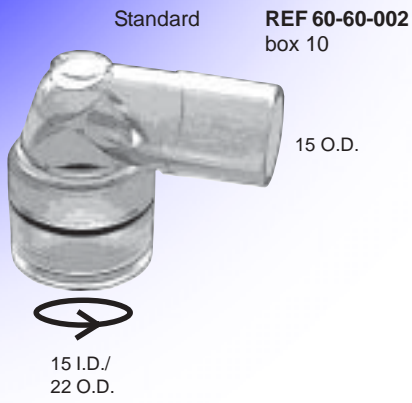
with right angled swivel connector with 4.4mm bronchoscope/suction cap

	Length: 18cm	length: 36cm	length: 54cm
15 I.D./ 22 O.D. 	REF 60-65-150-1 box 25	REF 60-65-300	REF 60-65-450 box 10
15 I.D./ 22 O.D. 	60-85-150-1 25	60-85-300	60-85-450 10

with right angled double swivel connector with 4.4mm bronchoscope/suction cap

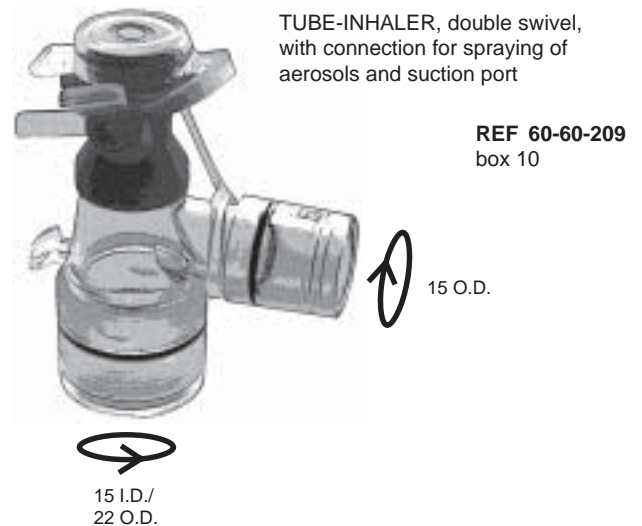
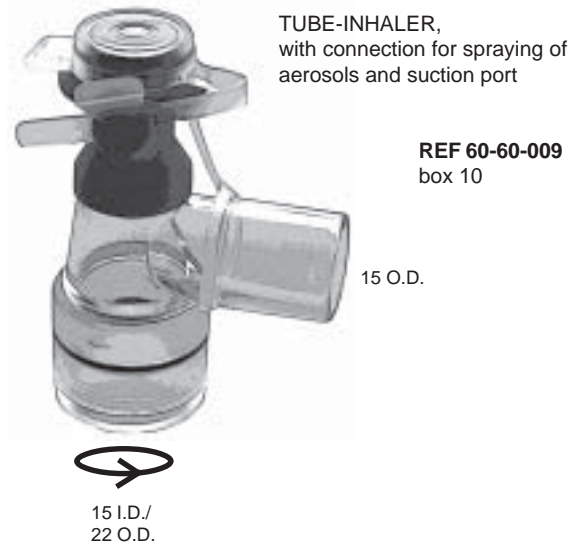
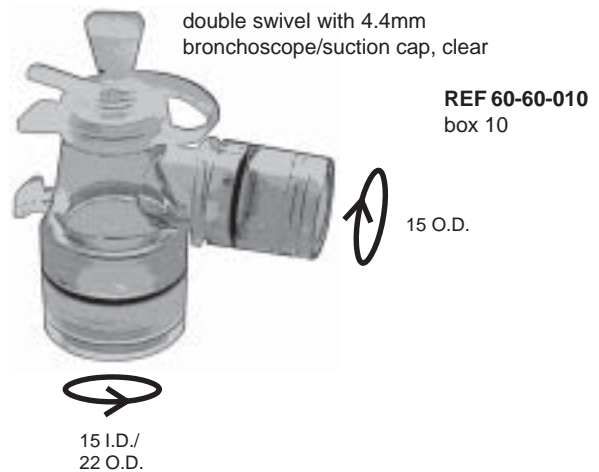
	Length: 18cm	length: 36cm	length: 54cm
15 I.D./ 22 O.D. 	REF 60-68-150-1 box 25	REF 60-68-300	REF 60-68-450 box 10
15 I.D./ 22 O.D. 	60-88-150-1 25	60-88-300	60-88-450 10

Right Angled Swivel Connectors for adult, autoclavable up to 134°C



with bronchoscope/suction cap

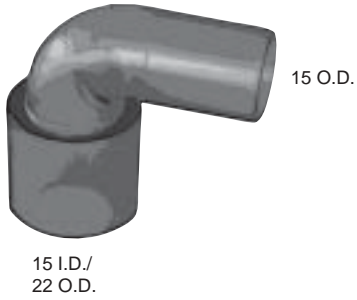
Hole	colour code	REF	box
4.4mm	clear	60-60-005	10
3mm	blue	60-60-205	10
1.9mm	yellow	60-60-305	10



Right Angled Connectors for adult, autoclavable up to 134°C

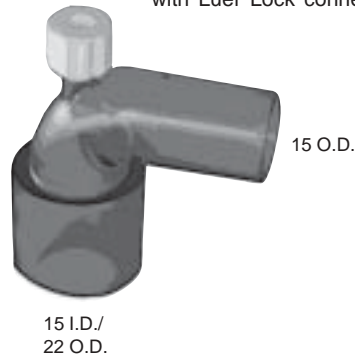
Standard

REF 60-65-002
box 10



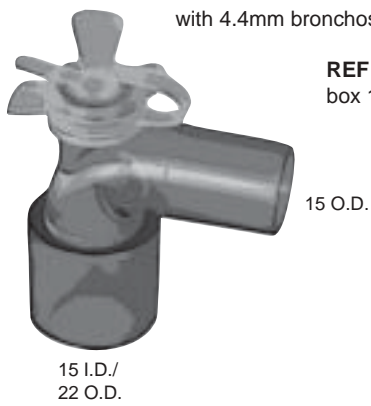
with Luer Lock connection

REF 60-65-004
box 10



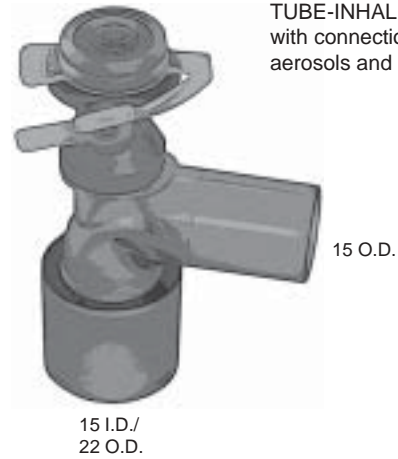
with 4.4mm bronchoscope/suction cap, clear

REF 60-65-005
box 10



TUBE-INHALER
with connection for spraying of
aerosols and suction port

REF 60-65-009
box 10



Connecting Tubing, 1.5mm I.D./3.0mm O.D.

for pressure or gas measuring, with 2 male Luer Lock connectors

Length	REF	box
1.5m	61-99-150	10
2.0m	61-99-200	10
3.0m	61-99-300	10



Bronchoscope/suction caps,

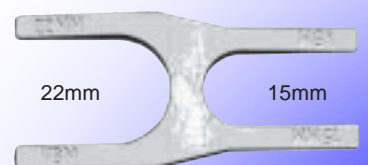
made of silicone, for right angled connectors

Hole	colour code	REF	box
3mm	blue	60-60-110	10
1.9mm	yellow	60-60-112	10
4.4mm	clear	60-60-115	10
cap for Tube-Inhaler		60-60-119	10

Uncoupling Wedge

autoclavable up to 134°C

REF 60-60-999 box 10



Catheter Mount Tubings, made of silicone, autoclavable up to 134°C

without connectors



Length: 13cm

Length: 20cm

REF
65-00-130

REF
65-00-200

box
10

with straight connector



Length: 13cm

Length: 20cm

REF
65-50-130

REF
65-50-200

box
10



65-55-130

65-55-200

10

with straight swivel connector



Length: 13cm

Length: 20cm

15 I.D./
22 O.D.

REF
65-52-130

REF
65-52-200

box
10



15 I.D./
22 O.D.

65-57-130

65-57-200

10

with right angled swivel connector



Length: 13cm

Length: 20cm

15 I.D./
22 O.D.

REF
65-60-130

REF
65-60-200

box
10



15 I.D./
22 O.D.

65-80-130

65-80-200

10

with right angled swivel connector and 4.4mm bronchoscope/suction cap



Length: 13cm

Length: 20cm

15 I.D./
22 O.D.

REF
65-65-130

REF
65-65-200

box
10



15 I.D./
22 O.D.

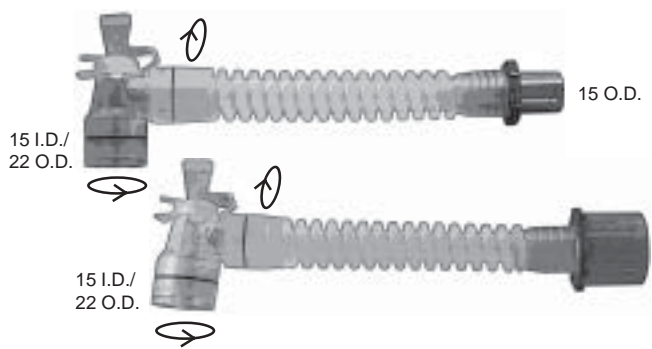
65-85-130

65-85-200

10

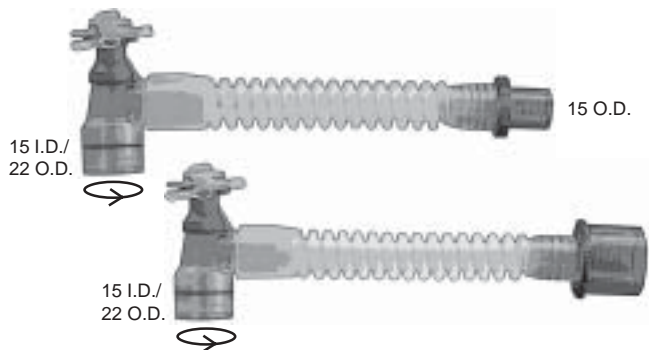
Catheter Mount Tubings, made of silicone, autoclavable up to 134°C

with right angled double swivel connector and 4.4mm bronchoscope/suction cap



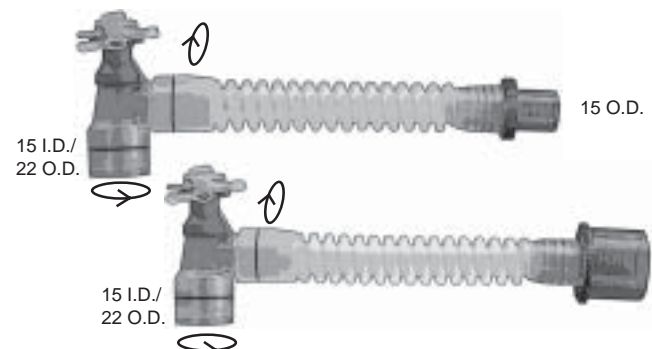
Length: 13cm	Length: 20cm	
REF 65-68-130	REF 65-68-200	box 10
65-88-130	65-88-200	10

with right angled swivel connector „Tube-Inhaler“



Length: 13cm	Length: 20cm	
REF 65-10-009	REF 65-10-029	box 10
65-30-009	65-30-029	10

with right angled double swivel connector „Tube-Inhaler“



Length: 13cm	Length: 20cm	
REF 65-15-209	REF 65-15-229	box 10
65-35-209	65-35-229	10

Further sizes are available on request.

Catheter Mount Tubings, made of silicone, with 22mm cuff, autoclavable up to 134°C

without connector



Length: 16cm

Length: 23cm

REF
65-00-160

REF
64-00-230

box
10

with straight connector



Length: 16cm

Length: 23cm

REF
65-55-160

REF
64-55-230

box
10

with straight swivel connector



Length: 16cm

Length: 23cm

REF
65-57-160

REF
64-57-230

box
10

with right angled swivel connector



Length: 16cm

Length: 23cm

REF
65-80-160

REF
64-80-230

box
10

with right angled swivel connector and 4.4mm bronchoscope/suction cap



Length: 16cm

Length: 23cm

REF
65-85-160

REF
64-85-230

box
10

with right angled double swivel connector and 4.4mm bronchoscope/suction cap



Length: 16cm

Length: 23cm

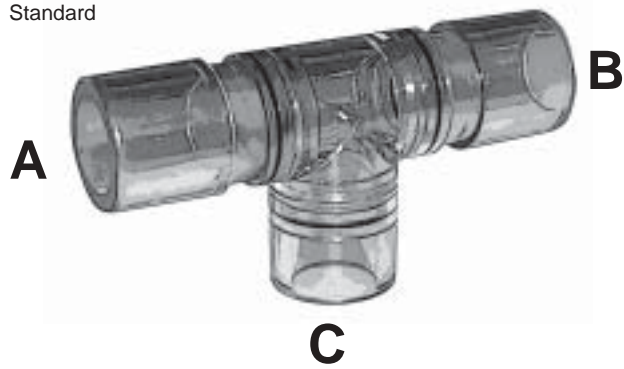
REF
65-88-160

REF
64-88-230

box
10

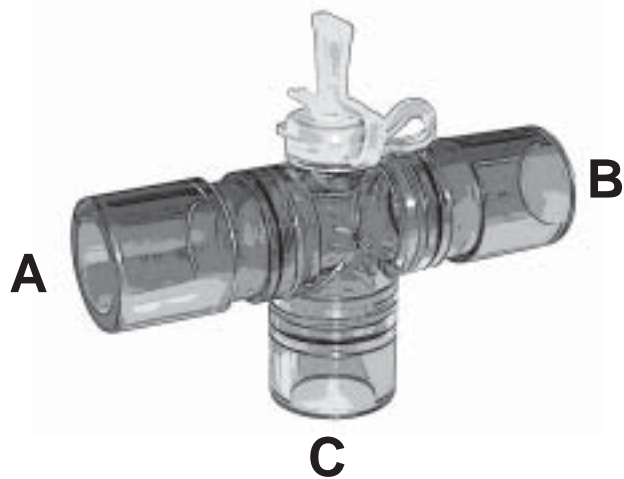
T-Connectors for adult, autoclavable up to 134°C

Standard



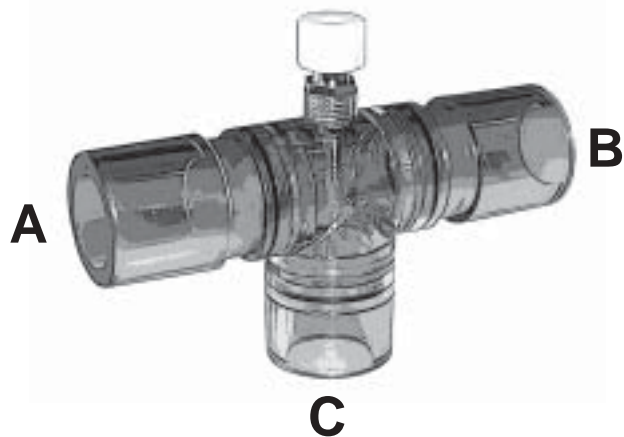
A	B	C	REF	box
15 I.D./22 O.D.	15 I.D./22 O.D.	15 I.D./22 O.D.	60-11-500	10
22 I.D.	22 I.D.	15 I.D./22 O.D.	60-11-502	10
22 I.D.	15 I.D./22 O.D.	15 I.D./22 O.D.	60-11-503	10
15 I.D./22 O.D.	15 I.D./22 O.D.	22 I.D.	60-11-504	10
22 I.D.	22 I.D.	22 I.D.	60-11-505	10
22 I.D.	15 I.D./22 O.D.	22 I.D.	60-11-506	10

with 4.4mm bronchoscope/suction cap



A	B	C	REF	box
15 I.D./22 O.D.	15 I.D./22 O.D.	15 I.D./22 O.D.	60-11-510	10
22 I.D.	22 I.D.	15 I.D./22 O.D.	60-11-512	10
22 I.D.	15 I.D./22 O.D.	15 I.D./22 O.D.	60-11-513	10
15 I.D./22 O.D.	15 I.D./22 O.D.	22 I.D.	60-11-514	10
22 I.D.	22 I.D.	22 I.D.	60-11-515	10
22 I.D.	15 I.D./22 O.D.	22 I.D.	60-11-516	10

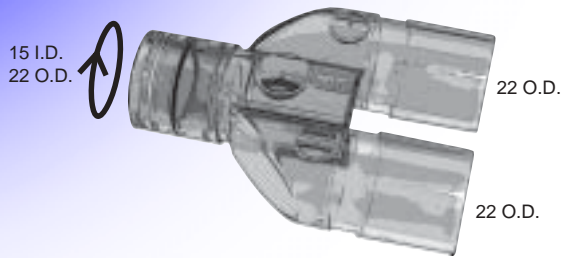
with female Luer Lock connection made of metal



A	B	C	REF	box
15 I.D./22 O.D.	15 I.D./22 O.D.	15 I.D./22 O.D.	60-11-520	10
22 I.D.	22 I.D.	15 I.D./22 O.D.	60-11-522	10
22 I.D.	15 I.D./22 O.D.	15 I.D./22 O.D.	60-11-523	10
15 I.D./22 O.D.	15 I.D./22 O.D.	22 I.D.	60-11-524	10
22 I.D.	22 I.D.	22 I.D.	60-11-525	10
22 I.D.	15 I.D./22 O.D.	22 I.D.	60-11-526	10

Straight Y-Connectors for adult, autoclavable up to 134°C

Standard REF 60-10-100 box 10

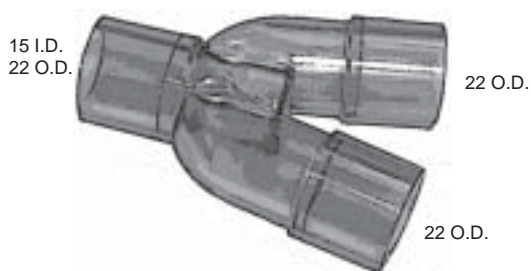


with female Luer Lock connection
REF 60-10-101 box 10

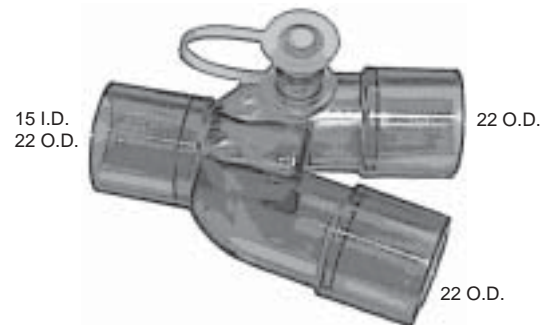


Straight Y-Connectors for adult, autoclavable up to 134°C

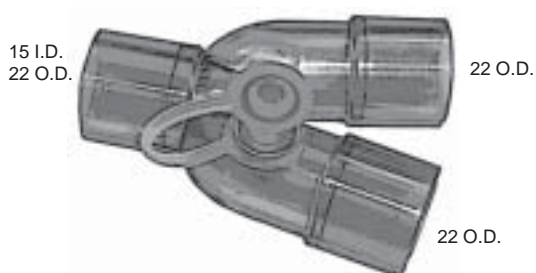
Standard REF 60-11-200 box 10



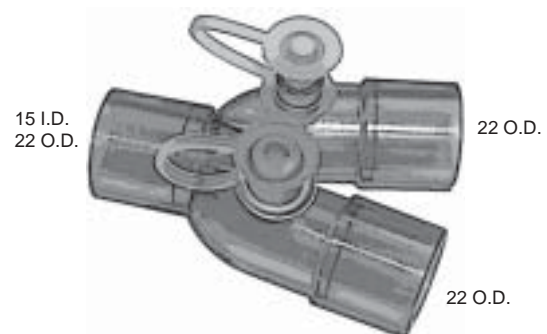
with connection for pressure measuring
REF 60-11-202 box 10



with connection for temperature measuring
REF 60-11-203 box 10



with connection for temperature and pressure measuring
REF 60-11-204 box 10



Plug, made of silicone,
for Y-Connectors REF 60-11-202, -203, -204

REF 60-11-999 box 1



Right Angled Y-Connectors for adult, autoclavable up to 134°C

Standard
REF 60-11-300 box 10



with Luer tube connection
REF 60-11-301 box 10



with female Luer Lock connection
REF 60-11-302 box 10



Straight Y-Connectors for adult with adjustable connections autoclavable up to 134°C

Standard REF 60-11-400 box 10



with metal Luer Lock connection
REF 60-11-401 box 10



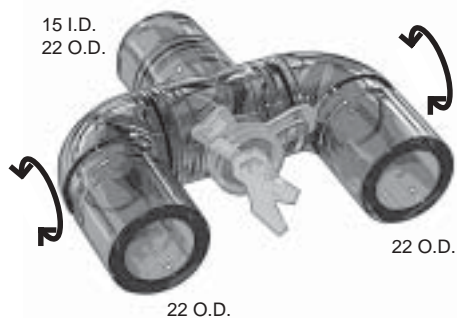
with temperature port
REF 60-11-402 box 10



with Luer Lock connection and
temperature port
REF 60-11-403 box 10



with 4.4mm bronchoscope/suction cap
REF 60-11-410 box 10



with metal Luer Lock connection
REF 60-11-411 box 10



with temperature port
REF 60-11-412 box 10



4.4mm bronchoscope/suction cap,
clear

REF 60-60-115
box 10



with Luer Lock connection and
temperature port
REF 60-11-413 box 10



with female Luer Lock connection made of metal
REF 60-11-420 box 10



with temperature port
REF 60-11-422 box 10



Luer Lock connection made of Nylon,
right angled
autoclavable up to 134°C

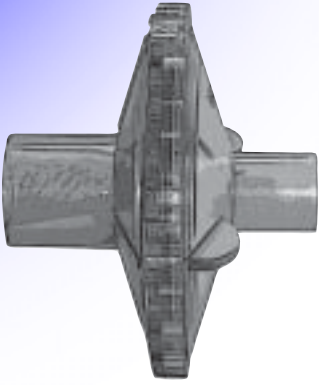
REF 60-11-888
box 10



Bacterial-/Viral Filters, reusable, autoclavable up to 134°C

Standard REF 61-20-100 box 10

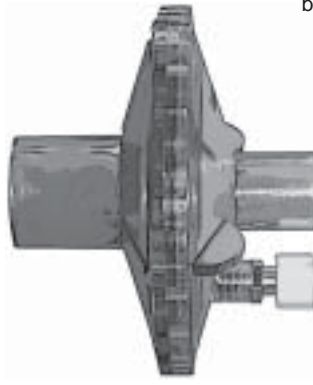
15 I.D./
22 O.D.



15 O.D.

with female Luer Lock connection REF 61-20-150
box 10

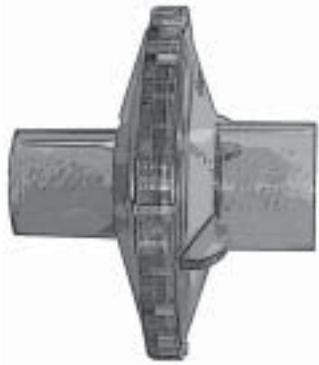
15 I.D./
22 O.D.



15 O.D.

Standard REF 61-20-200 box 10

15 I.D./
22 O.D.



22 I.D.

with female Luer Lock connection REF 61-20-250
box 10

15 I.D./
22 O.D.

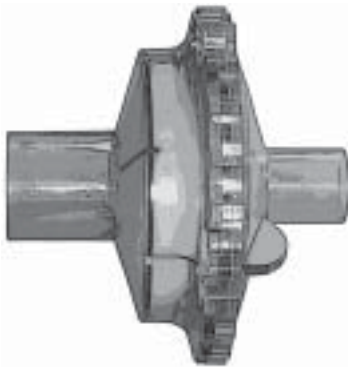


22 I.D.

Heat and Moisture Exchangers with Bacterial-/Viral Filter, reusable, autoclavable up to 134°C

Standard REF 61-20-300 box 10

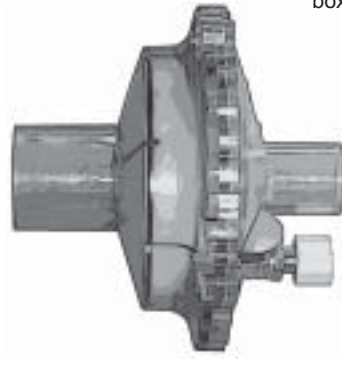
15 I.D./
22 O.D.



15 O.D.

with female Luer Lock connection REF 61-20-350
box 10

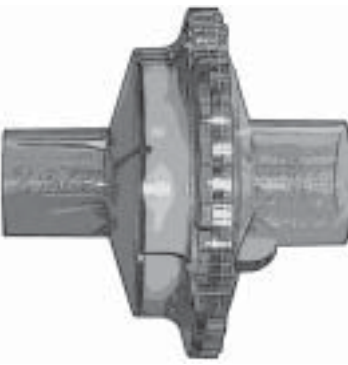
15 I.D./
22 O.D.



15 O.D.

Standard REF 61-20-400 box 10

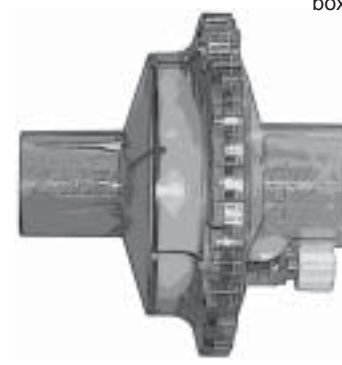
15 I.D./
22 O.D.



22 I.D.

with female Luer Lock connection REF 61-20-450
box 10

15 I.D./
22 O.D.

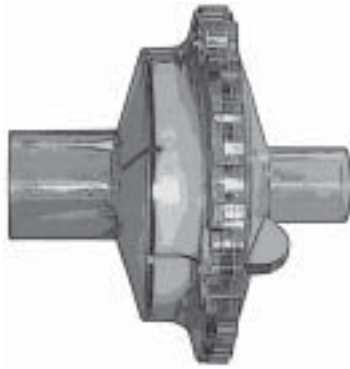


22 I.D.

Heat and Moisture Exchangers (HME), reusable, autoclavable up to 134°C

Standard REF 61-20-600 box 10

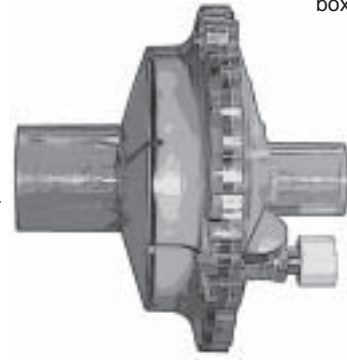
15 I.D./
22 O.D.



15 O.D.

with female Luer Lock connection REF 61-20-550
box 10

15 I.D./
22 O.D.



15 O.D.

Standard REF 61-20-600 box 10

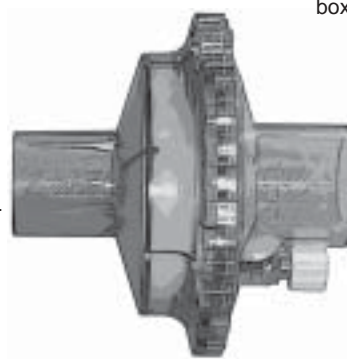
15 I.D./
22 O.D.



22 I.D.

with female Luer Lock connection REF 61-20-650
box 10

15 I.D./
22 O.D.



22 I.D.

Spare Membranes, for single use



for Bacterial-/Viral Filter, clean packed
for Bacterial-/Viral Filter, single sterile packed

REF	box
61-21-100	100
61-21-100-1	40



for HME with Bacterial-/Viral Filter,
single sterile packed

REF 61-21-300-1 box 50



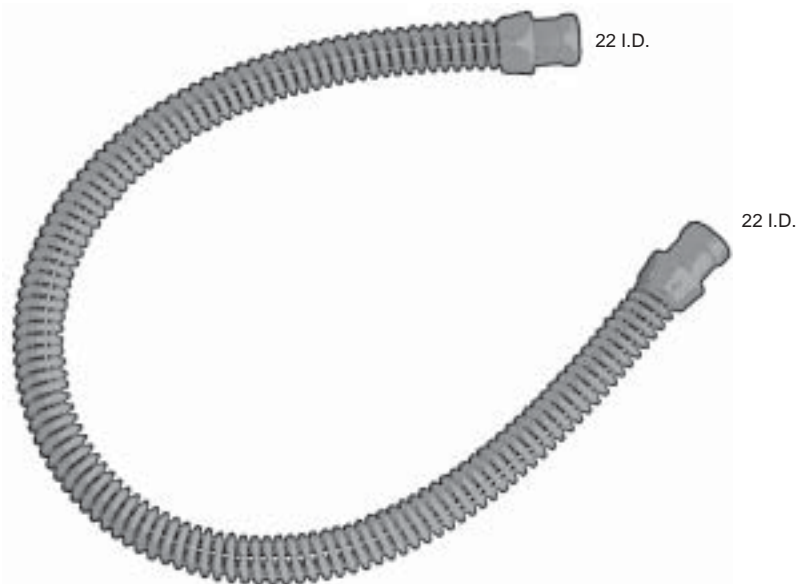
for Heat and Moisture Exchanger,
single sterile packed

REF 61-21-500-1 box 50

19mm-Respiration Tubings for Adult, made of silicone,

colour: light green (coil) / clear (tube),
autoclavable up to 134°C

Length	REF	box
30cm	66-22-030	1
40cm	66-22-040	1
60cm	66-22-060	1
80cm	66-22-080	1
90cm	66-22-090	1
110cm	66-22-110	1
130cm	66-22-130	1
150cm	66-22-150	1
180cm	66-22-180	1
200cm	66-22-200	1



19mm-Respiration Tubings with angled cuff for Adult, made of silicone,

colour: light green (coil) / clear (tube),
autoclavable up to 134°C

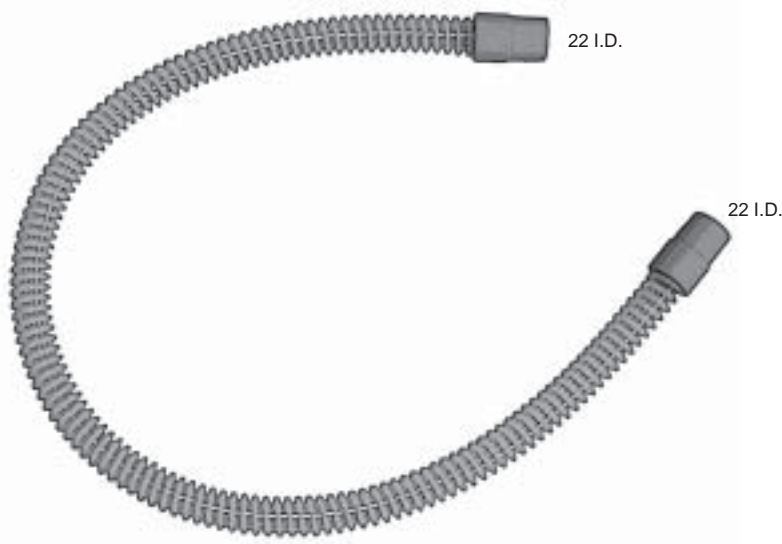
Length	REF	box
25cm	66-22-925	1
40cm	66-22-940	1



16mm-“Lightweight“ Tubings for Adult, made of silicone,

colour: light green (coil) / clear (tube),
autoclavable up to 134°C

Length	REF	box
30cm	69-16-030	1
45cm	69-16-045	1
60cm	69-16-060	1
90cm	69-16-090	1
110cm	69-16-110	1
130cm	69-16-130	1
150cm	69-16-150	1
180cm	69-16-180	1
200cm	69-16-200	1



Silicone Hook

for 9mm- and 19mm-Respiration Tubings



REF 66-00-002
box 5

Tube Clips

for 19mm-Respiration Tubings



Standard
REF 51121 box 10



with additional clip, 3mm I.D.
REF 51268 box 10

Straight connector

to connect and extend adult silicone
respiration tubings with 22mm cuffs,
autoclavable up to 134°C

REF 60-15-110 box 4



22 O.D.

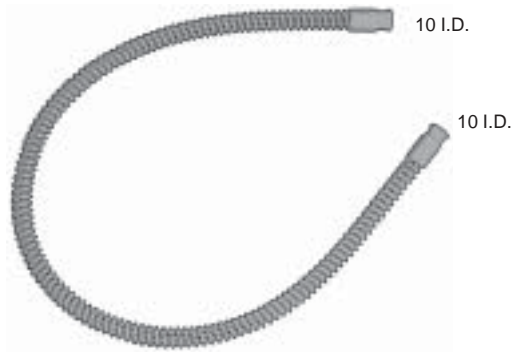
22 O.D.

9mm-Respiration Tubings for Pediatric, made of silicone,

colour: light green (coil) / clear (tube),
autoclavable up to 134°C

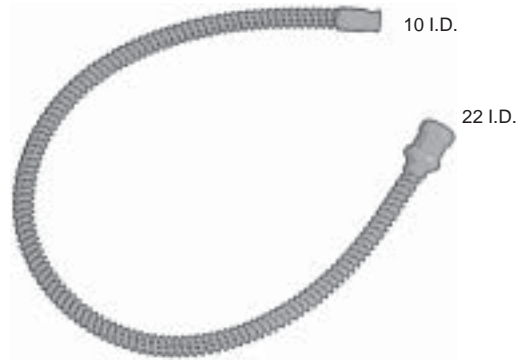
with 10mm cuff at both ends

Length	REF	box
25cm	66-10-025	1
45cm	66-10-045	1
60cm	66-10-060	1
85cm	66-10-085	1
110cm	66-10-110	1
130cm	66-10-130	1
150cm	66-10-150	1
200cm	66-10-200	1



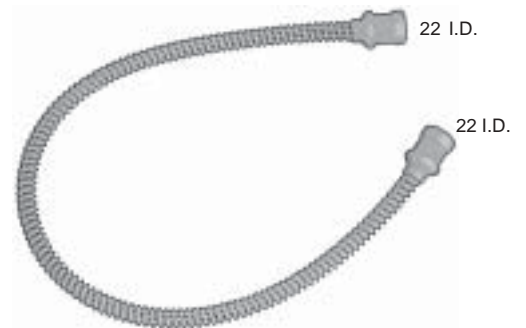
with 10mm/22mm cuffs

Length	REF	box
25cm	66-11-025	1
45cm	66-11-045	1
60cm	66-11-060	1
85cm	66-11-085	1
110cm	66-11-110	1
130cm	66-11-130	1
150cm	66-11-150	1
170cm	66-11-170	1
200cm	66-11-200	1



with 22mm cuff at both ends

Length	REF	box
25cm	66-12-025	1
60cm	66-12-060	1
85cm	66-12-085	1
110cm	66-12-110	1
130cm	66-12-130	1
150cm	66-12-150	1
170cm	66-12-170	1
200cm	66-12-200	1



9mm-“Lightweight“ Tubings for Pediatric, made of silicone,

colour: light green (coil) / clear (tube),
autoclavable up to 134°C

with 10mm cuff at both ends

Length	REF	box
25cm	69-10-025	1
45cm	69-10-045	1
60cm	69-10-060	1
90cm	69-10-090	1
110cm	69-10-110	1
130cm	69-10-130	1
150cm	69-10-150	1
170cm	69-10-170	1
200cm	69-10-200	1



Rebreathing Bags, made of silicone, autoclavable up to 134°C

clear, with 22mm cuff

Size	REF	box
500ml	66-00-011	1
1000ml	66-00-015	1
1500ml	66-00-012	1
2300ml	66-00-013	1
3000ml	66-00-014	1



Rebreathing Bags, made of silicone, autoclavable up to 134°C

clear, with 22mm cuff and open tube connection with cap

Size	REF	box
500ml	66-00-041	1
1000ml	66-00-045	1
1500ml	66-00-042	1
2300ml	66-00-043	1
3000ml	66-00-044	1



Silicone Rebreathing Bags, made of silicone, autoclavable up to 134°C

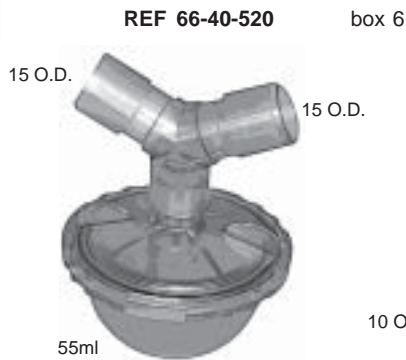
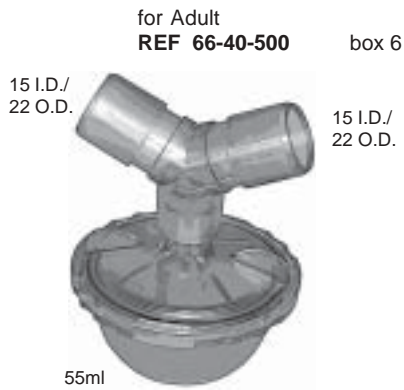
clear, with 22mm cuff and hole

Size	REF	box
500ml	66-00-441	1
1000ml	66-00-445	1
1500ml	66-00-442	1
2300ml	66-00-443	1
3000ml	66-00-444	1



Watertraps

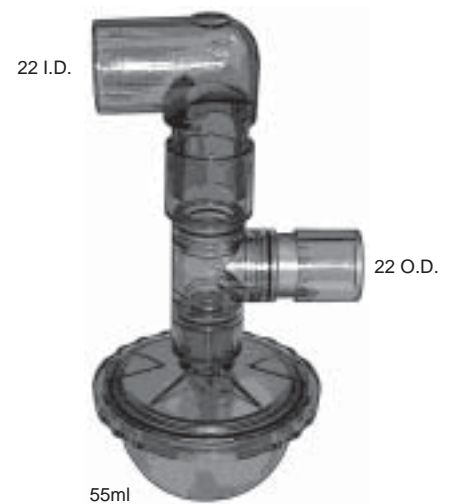
autoclavable up to 134°C



Respirator Watertrap

autoclavable up to 134°C

REF 66-40-511 box 4



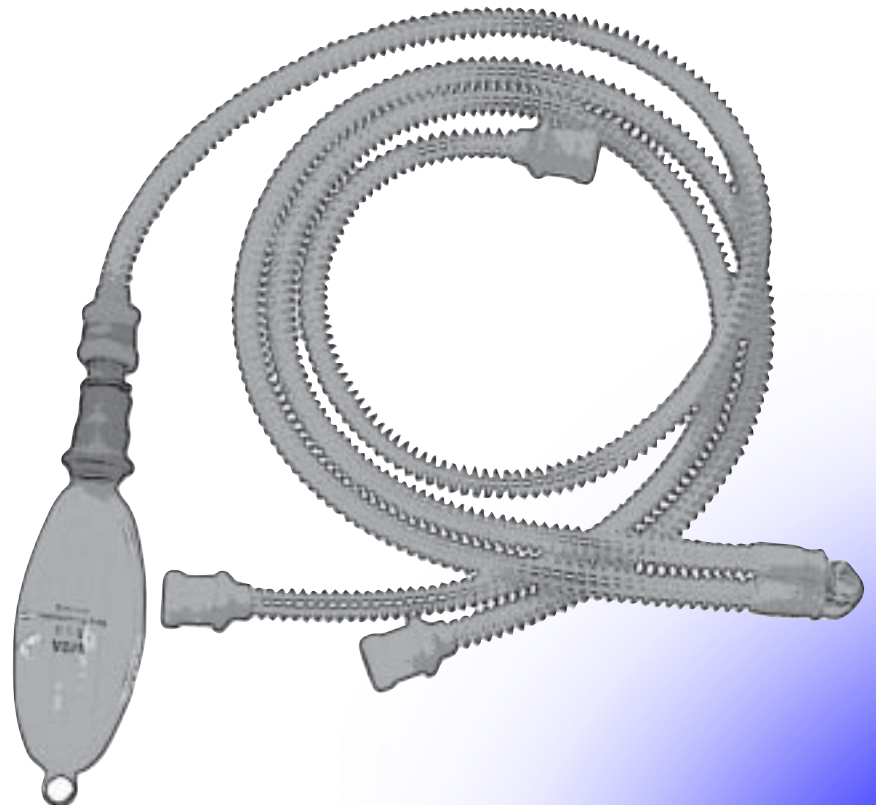
Anesthetic System for Pediatric

autoclavable up to 134°C

consisting of:

- 2 x 9mm Silicone Respiration Tubing, REF 66-11-110
- 1 x 9mm Silicone Respiration Tubing, REF 66-12-110
- 1 x Right Angled Y-Connector, REF 60-20-100
- 1 x Silicone Rebreathing Bag, 500ml, REF 66-00-011
- 1 x Straight connector, REF 60-12-110

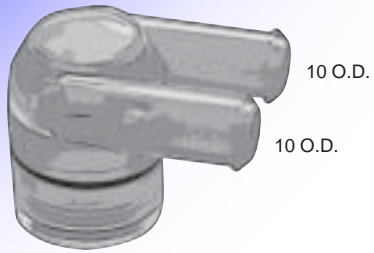
REF 62-11-200 box 1



Right Angled Y-Connectors for Pediatric, swivelling, autoclavable up to 134°C

Standard

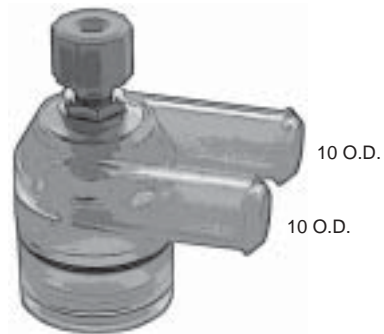
REF 60-20-100
box 10



15 I.D./
22 O.D.

with Luer Lock connection

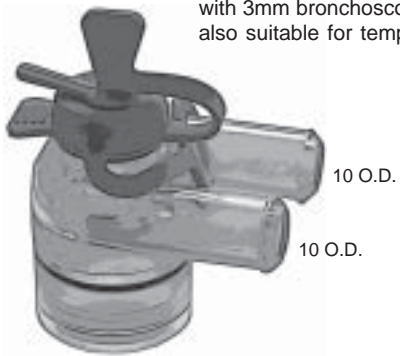
REF 60-20-101
box 10



15 I.D./
22 O.D.

with 3mm bronchoscope/suction cap, blue,
also suitable for temperature probes

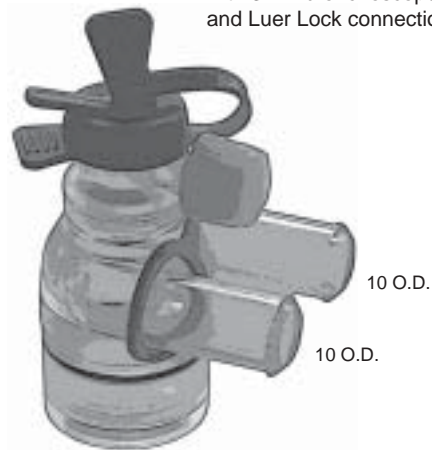
REF 60-20-200
box 10



15 I.D./
22 O.D.

with 3mm bronchoscope/suction cap, blue
and Luer Lock connection

REF 60-20-201
box 10



15 I.D./
22 O.D.

Right Angled Y-Connectors for Pediatric, autoclavable up to 134°C

Standard with Luer connection

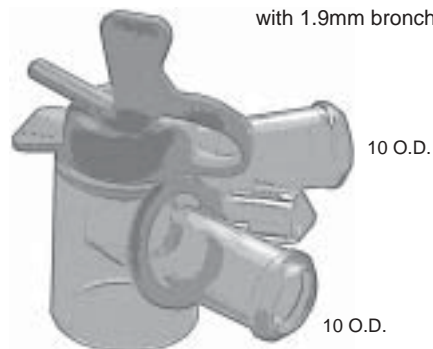
REF 60-20-300
box 10



15 I.D.

with 1.9mm bronchoscope/suction cap, yellow

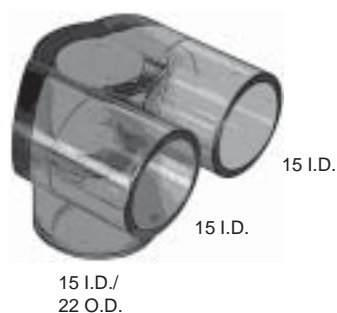
REF 60-20-400
box 10



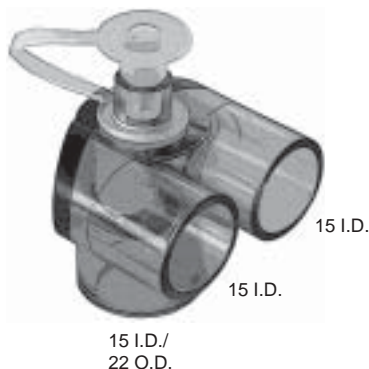
15 I.D.

Right Angled Y-Connectors for Pediatric, autoclavable up to 134°C

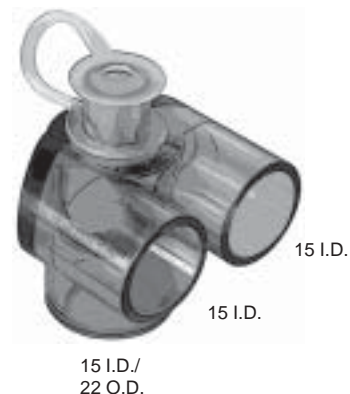
Standard
REF 60-20-600 box 10



with connection for pressure measuring
REF 60-20-602 box 10



with connection for temperature measuring
REF 60-20-603 box 10



Straight Connectors, suitable for REF 60-20-xxx, autoclavable up to 134°C



Straight Y-Connectors for Pediatric, swivelling, autoclavable up to 134°C

Standard REF 60-20-500 box 10



with Luer Lock connection made of metal REF 60-20-501 box 10



Catheter Mount Tubing for Pediatric, made of silicone, autoclavable up to 134°C

Length: 9cm REF 65-00-090 box 10



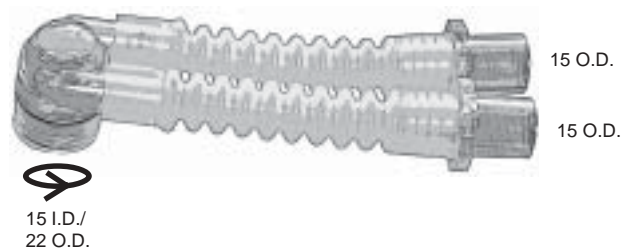
Length: 10.5cm REF 65-00-105 box 10



Right Angled Y-Connectors for Pediatric, swivelling, autoclavable up to 134°C

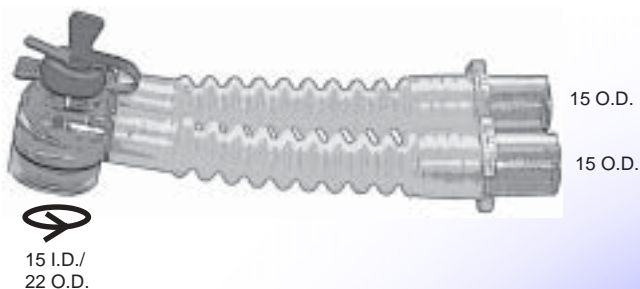
with two pediatric catheter mount tubings with 15mm connectors

REF 65-20-100 box 10



with 3mm bronchoscope/suction cap, two pediatric catheter mount tubings with 15mm connectors

REF 65-20-200 box 10



Bronchoscope/suction caps, made of silicone, for Y-Connectors

hole	colour code	REF	box
3mm	blue	60-60-110	10
1.9mm	yellow	60-60-112	10



Plug, made of silicone
for Y-Connectors REF 60-20-602, -603

REF 60-11-999
box 1



Jackson Rees Systems, autoclavable up to 134°C

Jackson Rees System I

consisting of:
Silicone Rebreathing Bag 500ml with open tube connection and cap,
Straight Connector, Silicone Tube, Ayres T-Piece, Right Angled Swivel
Connector, Straight Connector, O₂ Silicone Tubing, smooth, Length: 1.80m

REF 67-12-000 box 1



Jackson Rees System I

ditto REF 67-12-000 but with Silicone Rebreathing Bag 500ml with hole

REF 67-11-000 box 1

Jackson Rees System II

consisting of:
Silicone Rebreathing Bag 500ml, Straight Connector, Silicone Tube,
Jackson Rees Expiratory Valve, Right Angled Swivel Connector, Straight
Connector, O₂ Silicone Tubing, smooth, Length: 1.80m

REF 67-12-100 box 1



Jackson Rees System III

consisting of:
Silicone Rebreathing Bag 500ml, Straight Connector, Jackson Rees
Expiratory Valve with cap, Connector, Silicone Tube, Ayres T-Piece, Right
Angled Swivel Connector, Straight Connector, O₂ Silicone Tubing, smooth,
Length: 1.80m

REF 67-12-200 box 1



Jackson Rees System IV

consisting of:
Silicone Rebreathing Bag 500ml, Straight Connector, Jackson Rees
Expiratory Valve, Right Angled Swivel Connector, Straight Connector,
O₂ Silicone Tubing, smooth, Length: 1.80m

REF 67-12-300 box 1



Waters Breathing System / Mapleson C, autoclavable up to 134°C

consisting of:

- Silicone Rebreathing Bag 2300ml
- Waters Valve
- Right Angled Swivel Connector
- Straight Connector
- O₂ Silicone Tubing, smooth, Length: 1.80m

REF 67-12-500 box 1



Magill Breathing System / Mapleson A, autoclavable up to 134°C

consisting of:

- Silicone Rebreathing Bag 2300ml
- T-Piece
- Straight Connector
- 16mm Silicone Respiration Tubing, Length: 1.50m
- Waters Valve with silicone cap
- Right Angled Swivel Connector

REF 67-12-600 box 1



Waters Expiratory Valve

autoclavable up to 134°C

REF 67-10-003 box 1



Jackson Rees Expiratory Valve

autoclavable up to 134°C

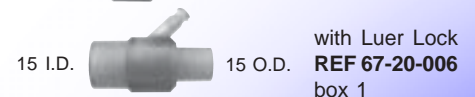
REF 67-10-002 box 1



Ayres-T-Pieces

autoclavable up to 134°C

made of polysulfone



made of metal



Anesthetic Tube Holder with flexible rod

adjustable in height, length of support arm: 38cm



with universal rail clamp and

- universal tube holder plate
- swivelling universal tube holder plate
- universal tube holder plate with safety lock
- pediatric tube holder plate

REF

73-512-04
73-512-14
73-512-44
73-512-03

with universal clamp and

- universal tube holder plate
- swivelling universal tube holder plate
- universal tube holder plate with safety lock
- pediatric tube holder plate
- tube arrangement plate

REF

73-532-04
73-532-14
73-532-44
73-532-03
73-532-57

with rail clamp with quick lock and

- universal tube holder plate
- swivelling universal tube holder plate
- universal tube holder plate with safety lock
- pediatric tube holder plate

REF

73-542-04
73-542-14
73-542-44
73-542-03

Anesthetic Tube Holder with one joint and flexible rod

adjustable in height, length of support arm: 45cm



with universal rail clamp and

- universal tube holder plate
- swivelling universal tube holder plate
- universal tube holder plate with safety lock
- pediatric tube holder plate

REF

74-412-04
74-412-14
74-412-44
74-412-03

with universal clamp and

- universal tube holder plate
- swivelling universal tube holder plate
- universal tube holder plate with safety lock
- pediatric tube holder plate

REF

74-432-04
74-432-14
74-432-44
74-432-03

with rail clamp with quick lock and

- universal tube holder plate
- swivelling universal tube holder plate
- universal tube holder plate with safety lock
- pediatric tube holder plate

REF

74-442-04
74-442-14
74-442-44
74-442-03

Anesthetic Tube Holder with three joints and universal clamp



Length: 30cm

REF

with universal tube holder plate

70-131-04

with universal tube holder plate with safety lock

70-131-44

Length: 50cm

REF

with universal tube holder plate

70-231-04

with universal tube holder plate with safety lock

70-231-44

Pressure Transducer Holder with three joints and universal clamp



Length: 30cm

REF

with clamping piece for transducer plates

70-131-07

with pressure transducer and stop-cock holder

70-131-12

Length: 50cm

REF

with clamping piece for transducer plates

70-231-07

with pressure transducer and stop-cock holder

70-231-12

Endoscope Holder with three joints and universal clamp, adjustable in height



Length: 30cm

REF

for rigid endoscopes

70-151-06

Length: 50cm

REF

for rigid endoscopes

70-251-06

for flexible endoscopes

70-251-66

for rigid endoscopes, autoclavable up to 121°C

71-251-06

Respiration Support Arm with three joints, swinging head and universal clamp



Length: 100cm

REF

with single tube holder

70-353-01

with twin tube holder

70-353-02

with small tube holder with safety lock

70-353-33

Length: 120cm

REF

with single tube holder

70-653-01

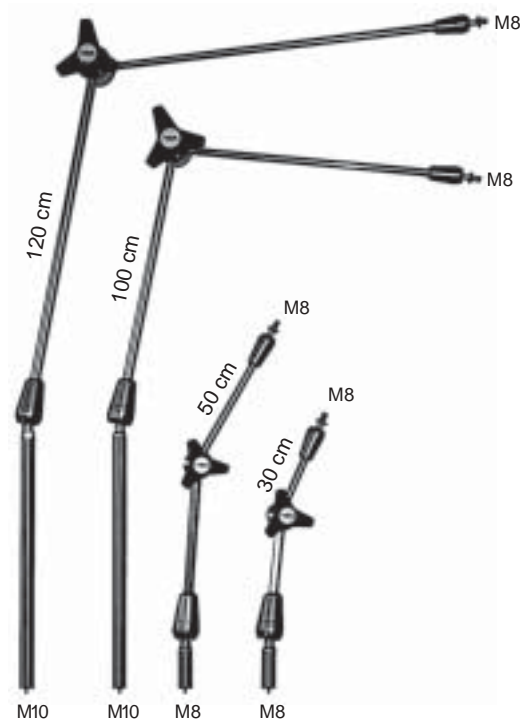
with twin tube holder

70-653-02

with small tube holder with safety lock

70-653-33

Support Arms with three joints, separate



Length: 30cm

REF 70-100-00

Length: 50cm

REF 70-200-00

Length: 50cm,

autoclavable up to 121°C

REF 71-200-00

Length: 100cm

REF 70-300-00

Length: 120cm

REF 70-600-00

Extension pieces for support arms with three joints (100cm and 120cm)

for extension or shortening between clamp and first joint

Length	internal thread	REF
9cm	M10	79-00-009
14cm	M10	79-00-014
30cm	M10	79-00-030



Fixation clamps



Universal clamp 30x50mm
with M8 internal thread

REF
79-030-00



Universal clamp 30x50mm
with 11mm hole for support arms adjustable in height
with 8mm hole for Rüscher Support Arm „Ulmer Fixator“

REF
79-039-00
79-031-00



Universal clamp 50x50mm
with M10 internal thread

REF
79-050-00



Universal clamp 50x50mm
with 16mm hole for support arms adjustable in height

REF
79-059-00



Universal clamp 50x70mm
with M10 internal thread

REF
79-070-00



Universal rail clamp 25x10mm
with M8 internal thread

REF
79-020-00



Universal rail clamp 25x10mm
with 11mm hole for support arms adjustable in height
with 8mm hole for Rüscher Support Arm „Ulmer Fixator“

REF
79-010-00
79-011-00



Rail clamp with quick lock 25x10mm for standard rail
with M8 internal thread

REF
79-060-00



Rail clamp with quick lock 25x10mm for standard rail
with 11mm hole for support arms adjustable in height
with 8mm hole for Rüscher Support Arm „Ulmer Fixator“

REF
79-040-00
79-041-00



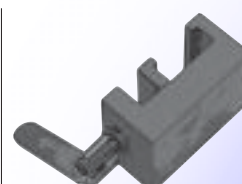
Draeger rail clamp 25x10mm
with M8 internal thread

REF 79-090-00



Bennett Adapter, swivelling
with M10 internal thread

REF 79-099-00



Bennett rail clamp
with M10 internal thread

REF 79-058-00

Flexible intermediate pieces



Flexible rod, length: 13cm

REF 79-002-00



Swinging head, length: 20cm

REF 79-003-00

Attachment devices for respiration tubings



Single tube holder

REF 79-000-01



Twin tube holder

REF 79-000-02



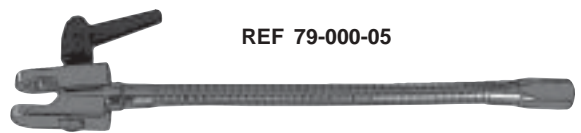
Distance holder, fits to twin tube holder
(without twin tube holder)

REF 79-000-20



Twin tube holder with ball,
fits to Draeger holder

REF 79-000-22



Ball holder with flexible rod

REF 79-000-05



Pediatric tube holder plate

REF 79-000-03



Small tube holder plate
with safety lock

REF 79-000-33



Universal tube holder plate

REF 79-000-04



Universal tube holder plate, swivelling

REF 79-000-14



Universal tube holder plate
with safety lock

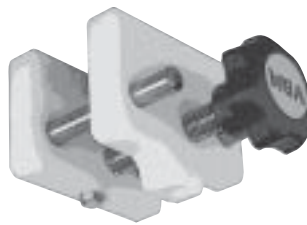
REF 79-000-44

Attachment Devices



Endoscope holder
for rigid Endoscopes

REF 79-000-06



Endoscope holder
for flexible Endoscopes

REF 79-000-66



Clamping piece
for transducer plate

REF 79-000-07



Tube clip, for support arms
with Ø 10mm and 12mm

REF 79-000-50 box 5

Pressure transducer
and stop-cock holder

REF 79-000-12



Holders for pressure transducer plates and stop-cocks, autoclavable up to 134°C



Stop-cock holder

REF 78-10-000



Standard holder

REF 78-20-000



Universal holder with one joint

REF 78-30-000



Universal holder with two joints

REF 78-40-000

Pressure transducer plates to connect to the above mentioned holder, autoclavable up to 134°C



Pressure transducer plate for 2 P.T.

REF 79-000-52



Pressure transducer plate for 4 P.T.

REF 79-000-54



Pressure transducer plate for 3 P.T.

REF 79-000-53

Tube arrangement plate, for 26 tubings

REF 79-000-55



Pressure Infusion Cuffs



Pressure Infusion Cuff 500ml

with female Luer Lock connection
with hand inflator
with hand inflator and manometer fixed on the cuff
with hand inflator and manometer fixed on the cuff
(overpressure proved manometer)
with hand inflator and manometer made of metal

REF
51-01-050
51-05-050
51-06-050

51-08-050
51-09-050



Pressure Infusion Cuff 500ml/1000ml, pocket version with zip fastener

with female Luer Lock connection
with hand inflator
with hand inflator and manometer fixed on the cuff
with hand inflator and manometer fixed on the cuff
(overpressure proved manometer)
with hand inflator and manometer made of metal

REF
52-01-100
52-05-100
52-06-100

52-08-100
52-09-100



Pressure Infusion Cuff 500ml/1000ml, velcro version to wrap around

with female Luer Lock connection
with hand inflator
with hand inflator and manometer fixed on the cuff
with hand inflator and manometer fixed on the cuff
(overpressure proved manometer)
with hand inflator and manometer made of metal

REF
53-01-100
53-05-100
53-06-100

53-08-100
53-09-100

Tourniquet „Tourny I“, the easy tourniquet

REF 20-30-000 box 20



Tourniquet „Tourny II“, the simple tourniquet

REF 20-32-000 box 20



Mobile Oxygen Unit „Oxysafety“

Oxysafety Standard, fits 2L oxygen cylinder

complete with Silicone Resuscitation Bag 2000ml, Reservoir Bag 2600ml with Reservoir Valve, Masks size 3+5, oxygen connecting hose, accessory bag and wall fixation
(without oxygen cylinder!)

REF 30-75-001



Oxysafety

with accessory bag
but without accessories
REF 30-75-000



Accessory Bag

for Oxysafety
REF 30-75-010



Emergency Bag Standard

fits 1L or 2L oxygen cylinder

complete with Silicone Resuscitation Bag 2000ml, Reservoir Bag 2600ml with Reservoir Valve, Masks size 1-5, Airways size 1-5, manual suction pump „Res-Q-Vac“ and oxygen connecting hose
(without oxygen cylinder!)

REF 30-80-003



Emergency Bag without accessories
REF 30-85-000

Standard Respiration Cases with Wall Fixation

Adult

complete with PVC Resuscitation Bag 1800ml, Reservoir Bag 2600ml with Reservoir Valve, PVC Masks size 2,3,5 and Airways size 2,3,4,5
REF 30-95-100

ditto, but with Silicone Resuscitation Bag 2000ml and Silicone Masks
REF 30-90-100

Child

complete with PVC Resuscitation Bag 500ml, Reservoir Bag 2600ml with Reservoir Valve, PVC Masks size 1,2,3 and Airways size 0,1,2,3
REF 30-95-200

ditto, but with Silicone Resuscitation Bag and Silicone Masks
REF 30-90-200

Infant

complete with PVC Resuscitation Bag 250ml, Reservoir Bag 600ml with Reservoir Valve, PVC Masks size 0,1,2 and Airways size 000,00,0,1
REF 30-95-300

ditto, but with Silicone Resuscitation Bag and Silicone Masks
REF 30-90-300



Respiration Case, empty
without accessories
REF 30-90-000

Wall Fixation,
for Respiration Case
REF 30-91-000

Reusable Silicone Resuscitation Bags, autoclavable up to 134°C

Adult 2000ml	REF	box
with 40 cmH ₂ O pressure relief	80-10-100	1
without pressure relief	80-10-101	1
Child 500ml	REF	box
with 40 cmH ₂ O pressure relief	80-10-200	1
without pressure relief	80-10-201	1
with manometer	80-10-251	1
Infant 250ml	REF	box
with 40 cmH ₂ O pressure relief	80-10-300	1
without pressure relief	80-10-301	1
with manometer	80-10-351	1



Complete Sets,

supplied in a rigid transparent carrying case

Adult
with 2000ml Resuscitation Bag,
Mask size 5, Reservoir Bag 2600ml,
Reservoir Valve and 2m O₂-Tubing

REF 80-10-190 box 1

Child
with 500ml Resuscitation Bag,
Mask size 3, Reservoir Bag 2600ml,
Reservoir Valve and 2m O₂-Tubing

REF 80-10-290 box 1

Infant
with 250ml Resuscitation Bag,
Mask size 1, Reservoir Bag 600ml,
Reservoir Valve and 2m O₂-Tubing

REF 80-10-390 box 1



Silicone Masks, autoclavable up to 134°C



Size	patient	REF	box
1	Neonate	80-11-000	10
2	Infant	80-11-001	10
3	Child	80-11-002	10



Size	patient	REF	box
3	Adult small	80-11-003	10
4	Adult medium	80-11-004	10
5	Adult large	80-11-005	10



Hook Ring,

Ø 33mm, made of metal,
suitable for masks 3,4,5

REF 80-11-266 box 10

PEEP Valves, autoclavable up to 134°C

2.5-10 cmH₂O, green **REF** box

22mm O.D. **80-13-001** 1
 30mm I.D. **80-13-004** 1



5-20 cmH₂O, blue **REF** box

30mm I.D. **80-13-002** 1
 22mm O.D. **80-13-005** 1



PEEP Adapter, autoclavable up to 134°C

REF 80-13-003 box 1



Reservoir Bag, for single use

Size **REF** box

2600ml **80-12-010** 5
 600ml **80-12-020** 5



Reservoir Valve, autoclavable up to 134°C

REF 80-12-030 box 1



Hook, made of silicone, fits all Resuscitation Bags

REF 80-10-999 box 1



2m O₂-Tubing, made of PVC, for single use

REF 85-17-000 box 1

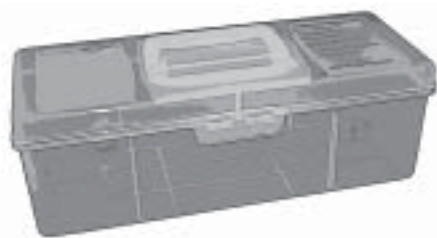
2m O₂-Tubing, made of silicone, autoclavable up to 134°C

REF 80-17-000 box 1

Transparent Carrying Case

for Child and Infant Resuscitation Bags
 for Adult Resuscitation Bag

REF box
80-10-080 1
80-10-090 1



Mouth Screw, for single use

REF 80-20-000 box 1



PVC Resuscitation Bags, for single use

Adult 1800ml	REF	box
with 40 cmH ₂ O pressure relief	85-10-100	1
without pressure relief	85-10-101	1

Child 500ml	REF	box
with 40 cmH ₂ O pressure relief	85-10-200	1
without pressure relief	85-10-201	1

Infant 250ml	REF	box
with 40 cmH ₂ O pressure relief	85-10-300	1
without pressure relief	85-10-301	1



Complete Sets,

supplied in a rigid transparent carrying case

Adult

with 1800ml Resuscitation Bag,
Mask size 5, Reservoir Bag 2600ml,
Reservoir Valve and 2m O₂-Tubing

REF **85-10-190** box 1

Child

with 500ml Resuscitation Bag,
Mask size 3, Reservoir Bag 2600ml,
Reservoir Valve and 2m O₂-Tubing

REF **85-10-290** box 1

Infant

with 250ml Resuscitation Bag,
Mask size 2, Reservoir Bag 600ml,
Reservoir Valve and 2m O₂-Tubing

REF **85-10-390** box 1



Face Masks, with inflatable cushion, for single use

Size	patient	REF	box
1	Neonate	35-40-201	10
2	Infant	35-40-202	10
3	Child	35-40-203	10
4	Adult small	35-40-204	10
5	Adult medium	35-40-205	10
6	Adult large	35-40-206	10



PEEP Valves, for single use

2.5-10 cmH₂O, green REF box

22mm O.D. 85-13-001 1
30mm I.D. 85-13-004 1



5-20 cmH₂O, blue REF box

30mm I.D. 85-13-002 1
22mm O.D. 85-13-005 1



PEEP Adapter, for single use

REF 85-13-003 box 1



Reservoir Bag, for single use

Size REF box

2600ml 80-12-010 5
600ml 80-12-020 5



Reservoir Valve, for single use

REF 85-12-030 box 1



2m O₂-Tubing, made of PVC, for single use

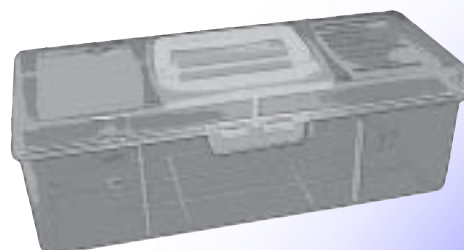
REF 85-17-000 box 1

Transparent Carrying Case

for Child and Infant Resuscitation Bags
for Adult Resuscitation Bag

REF box

80-10-080 1
80-10-090 1





VBM Medizintechnik GmbH

Einsteinstr. 1
D-72172 Sulz a.N.
Germany

Phone: +49 7454 / 95 96 10
Fax: +49 7454 / 95 96 33
E-mail: info@vbm-medical.de
www.vbm-medical.de